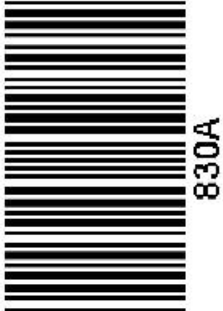


کد کنترل

830

A



آزمون ورودی دوره‌های کارشناسی ارشد ناپوسته داخل - سال ۱۴۰۰

صبح جمعه



«اگر دانشگاه اصلاح شود مملکت اصلاح می‌شود.»
امام خمینی (ره)

جمهوری اسلامی ایران
وزارت علوم، تحقیقات و فناوری
سازمان سنجش آموزش کشور

مهندسی کامپیوتر - (کد ۱۲۷۷)

تعداد سؤال: ۱۲۰ مدت پاسخ‌گویی: ۲۰۰ دقیقه

عنوان مواد امتحانی، تعداد و شماره سؤالات

ردیف	مواد امتحانی	تعداد سؤال	از شماره	تا شماره
۱	زبان عمومی و تخصصی (انگلیسی)	۳۰	۱	۳۰
۲	ریاضیات (ریاضی عمومی (۲و۱)، آمار و احتمال مهندسی، ریاضیات گسسته)	۳۰	۳۱	۵۰
۳	دروس تخصصی ۱ (نظریه زبان‌ها و ماشین‌ها، سیگنال‌ها و سیستم‌ها)	۱۰	۵۱	۶۰
۴	دروس تخصصی ۲ (ساختمان داده‌ها، طراحی الگوریتم و هوش مصنوعی)	۲۰	۶۱	۸۰
۵	دروس تخصصی ۳ (مقدار منطقی، معماری کامپیوتر و الکترونیک دیجیتال)	۲۰	۸۱	۱۰۰
۶	دروس تخصصی ۴ (سیستم‌های عامل، شبکه‌های کامپیوتری و پایگاه داده‌ها)	۲۰	۱۰۱	۱۲۰

استفاده از ماشین حساب مجاز نیست.

این آزمون نمره منفی دارد.

حق چاپ، تکثیر و انتشار سؤالات به هر روش (الکترونیکی و...) پس از برگزاری آزمون، برای تمامی اشخاص حقیقی و حقوقی تنها با مجوز این سازمان مجاز می‌باشد و با متخلفین برابر مقررات رفتار می‌شود.

* داوطلب گرامی، عدم درج مشخصات و امضا در مندرجات جدول ذیل، به منزله عدم حضور شما در جلسه آزمون است.

اینجانب با شماره داوطلبی با آگاهی کامل، یکسان بودن شماره صندلی خود را با شماره داوطلبی مندرج در بالای کارت ورود به جلسه، بالای پاسخنامه و دفترچه سؤالات، نوع و کد کنترل درج شده بر روی دفترچه سؤالات و پائین پاسخنامه را تأیید می‌نمایم.

امضا:

زبان عمومی و تخصصی (انگلیسی):

PART A: Vocabulary

Directions: Choose the word or phrase (1), (2), (3), or (4) that best completes each sentence. Then mark the correct choice on your answer sheet.

- 1- During the ----- between arriving at the airport and boarding the plane, we'll probably do a bit of window shopping.
1) interval 2) intervention 3) imbalance 4) inconsistency
- 2- That ugly vacant lot ----- from the beauty of the neighborhood.
1) depletes 2) derives 3) detracts 4) deviates
- 3- At first, the Savings Mart didn't do well, but after it lowered its prices and increased its advertising, the store began to -----.
1) prosper 2) subside 3) arise 4) strive
- 4- The movement of clouds may seem to be -----, but scientists know that there is a pattern to how they move.
1) compatible 2) specific 3) transient 4) random
- 5- Since my math class was very difficult for me, I consider the B that I got for the course to be a great -----.
1) illusion 2) triumph 3) obligation 4) disapproval
- 6- The hardware store sells ----- stones made of plastic that you can open and hide a house key in. Then you can hide the key by leaving the "stone" somewhere near your door.
1) confidential 2) artificial 3) superficial 4) metaphorical
- 7- Rhoda's budget is so tight that she felt it would be ----- to buy herself even a ten-dollar pair of earrings.
1) plausible 2) tangible 3) sufficient 4) extravagant
- 8- When the climbers reached the peak of the tallest mountain in the world, they felt it was a ----- occasion and were filled with pride.
1) momentary 2) moribund 3) meticulous 4) momentous
- 9- The ramification of committing a murder is to serve a prison sentence even if you ----- your actions.
1) implement 2) renew 3) regret 4) exceed
- 10- It is often an attorney's job to construe the meaning of a contract and then share that ----- with a client and, if needed, with a judge or jury.
1) justification 2) interpretation 3) transformation 4) condemnation

PART B: Cloze Test

Directions: Read the following passage and decide which choice (1), (2), (3), or (4) best fits each space. Then mark the correct choice on your answer sheet.

For 20 years, children have been treated (11) ----- all sorts of programs on television which are supposed to help them become better at skills such as reading and math. These programs have presented (12) ----- such as counting and recognition of letters as nothing but fun, (13) ----- by such things as rainbows and jumping frogs. (14) ----- no improvement in children's abilities in literacy and numeracy (15) ----- . These fun ways of teaching such skills don't seem to work.

- | | | | | |
|-----|---------------------------|--------|--------------------------|------------|
| 11- | 1) in | 2) for | 3) to | 4) on |
| 12- | 1) the learning of skills | | 2) skills to learn | |
| | 3) the skills of learning | | 4) learning of skills in | |
| 13- | 1) are accompanied | | 2) to accompany | |
| | 3) being accompanied | | 4) to be accompanied | |
| 14- | 1) In spite of | 2) But | 3) Although | 4) Whereas |
| 15- | 1) would observe | | 2) it observes | |
| | 3) has been observed | | 4) to be observed | |

PART C: Reading Comprehension

Directions: Read the following three passages and answer the questions by choosing the best choice (1), (2), (3), or (4). Then mark the correct choice on your answer sheet.

PASSAGE 1:

A February 2020 European Union white paper on artificial intelligence advocated for artificial intelligence for economic benefits, including "improving healthcare (e.g. making diagnosis more precise, enabling better prevention of diseases), increasing the efficiency of farming, contributing to climate change mitigation and adaptation, [and] improving the efficiency of production systems through predictive maintenance", while acknowledging potential risks.

The relationship between automation and employment is complicated. While automation eliminates old jobs, it also creates new jobs through micro-economic and macro-economic effects. Unlike previous waves of automation, many middle-class jobs may be eliminated by artificial intelligence; *The Economist* states that "the worry that AI could do to white-collar jobs what steam power did to blue-collar ones during the Industrial Revolution" is "worth taking seriously".

Subjective estimates of the risk vary widely; for example, Michael Osborne and Carl Benedikt Frey estimate 47% of U.S. jobs are at "high risk" of potential automation, while an OECD report classifies only 9% of U.S. jobs as "high risk". Jobs at extreme risk range from paralegals to fast food cooks, while job demand is likely to increase for care-related professions ranging from personal healthcare to the clergy. Author Martin Ford and others go further and argue that many jobs are routine, repetitive and (to an AI) predictable; Ford warns that these jobs may be automated in the next couple of decades.

Economists point out that in the past technology has tended to increase rather than reduce total employment, but acknowledge that "we're in uncharted territory" with AI.

Irakli Beridze, Head of the Centre for Artificial Intelligence and Robotics at UNICRI, United Nations, has expressed that "I think the dangerous applications for AI, from my point of view, would be criminals or large terrorist organizations using it to disrupt large processes or simply do pure harm. [Terrorists could cause harm] via digital warfare, or it could be a combination of robotics, drones, with AI and other things as well that could be really dangerous. Things like lethal autonomous weapons systems should be properly governed — otherwise there's massive potential of misuse."

- 16- What does the passage mainly discuss?
 1) The potential risks of AI
 2) How AI affects healthcare
 3) The economic benefits of AI
 4) AI-related job opportunities
- 17- Which of the following is NOT mentioned in paragraph 1 as a positive point about AI?
 1) Improving agriculture
 2) Expediting climate change
 3) Enhancing disease prevention
 4) Making production systems more efficient
- 18- According to paragraph 2, the new wave of automation can -----.
 1) eradicate blue-collar jobs
 2) create many white-collar jobs
 3) eliminate many middle-class jobs
 4) have micro-economic effects but not macro-economic ones
- 19- According to paragraph 2, which professions are less likely to be automated?
 1) paralegals
 2) routine jobs
 3) fast food cooks
 4) care-related jobs
- 20- According to Irakli Beridze, the main cause for concern regarding AI is -----.
 1) its use in warfare
 2) that criminals or terrorists can use it
 3) that it causes widespread unemployment
 4) its combination with drones and robotics

PASSAGE 2:

moshaveranetahsili.ir

Since making its first appearance in the 1960s, the computer corpus has infiltrated all fields of language-related research, from lexicography to literary criticism through artificial intelligence and language teaching. This widespread use of the computer corpus has led to the development of a new discipline which has come to be called 'corpus linguistics', a term which refers not just to a new computer-based methodology, but as Leech puts it, to a 'new research enterprise', a new way of thinking about language, which is challenging some of our most deeply-rooted ideas about language. With its focus on performance (rather than competence), description (rather than universals) and quantitative as well as qualitative analysis, it can be seen as contrasting sharply with the Chomskyan approach and indeed is presented as such by Leech. The two approaches are not mutually exclusive however. Comparing the respective merits of corpus linguistics and what he ironically calls 'armchair linguistics', Fillmore comes to the conclusion that 'the two kinds of linguists need

each other. Or better, that the two kinds of linguists, wherever possible, should exist in the same body.’

The computer plays a central role in corpus linguistics. A first major advantage of computerization is that it liberates language analysts ‘from drudgery and empowers [them] to focus their creative energies on doing what machines cannot do’. More fundamental, however, is the heuristic power of automated linguistic analysis, i.e. its power to uncover totally new facts about language. It is this aspect, rather than ‘the mirroring of intuitive categories of description’, that is the most novel and exciting contribution of Corpus Linguistics.

English is undoubtedly the language which has been analyzed most from a corpus linguistics perspective. Indeed, the first computer corpus to be compiled was the Brown corpus, a corpus of American English.

- 21- **What is the best title for the passage?**
- 1) Corpus Linguistics
 - 2) Computer Modeling
 - 3) Chomskyan Linguistics
 - 4) Advantages of Computerization
- 22- **According to Leech, corpus linguistics -----.**
- 1) is not a new methodology
 - 2) can completely change language teaching
 - 3) is mostly focused on competence rather than performance
 - 4) is making us revisit our deep-seated ideas about language
- 23- **What can we infer about the Chomskyan approach from paragraph 1?**
- 1) It contains two main theories.
 - 2) It is first proposed by Leech.
 - 3) It forms all our current ideas about language.
 - 4) It is not centered on performance and description.
- 24- **The word “uncover” in paragraph 2 is closest in meaning to -----.**
- 1) reveal
 - 2) invent
 - 3) interpret
 - 4) undermine
- 25- **According to paragraph 2, what is the most exciting contribution of corpus linguistics?**
- 1) Liberating linguists from drudgery
 - 2) The heuristic power of automated linguistic analysis
 - 3) The monitoring of intuitive categories of description
 - 4) The fact that English has been analyzed more than any other language

PASSAGE 3:

Low-code platforms (also referred to as low-to-no-code or low-to-zero-code) are modern, highly functional and standardized software solutions, which enables you to build complete business applications without coding, usually thanks to an intuitive graphical user interface and tools that allow you to quickly and easily automate even very complex business scenarios and processes by dragging and dropping things around. Thanks to this approach, they offer maximum benefits even to users who do not have specialized programming knowledge and coding skills. Modern solutions of this kind offer extensive features for effective change management – something that every modern company, which wants to grow dynamically, will surely learn to appreciate.

The ability to build business applications without coding skills effectively supports electronic document management and task workflows, while fostering business process automation and digitalization. The possibilities offered by modern low-code platforms can bring benefits to all companies who want to quickly and efficiently automate their business processes and build business applications that are perfectly tailored to their needs and are easy to modify, without having to establish costly and often troublesome relationships with development teams. Obtaining the full benefits of their capabilities and features is strictly dependent on the functionality, architecture and flexibility of the chosen solution.

While looking for the best *low-code* platform that will be able to keep up with the dynamic pace of business growth and effectively support its daily operations, it may be worthwhile to choose a future-proof solution that will allow making the necessary changes and modifications in real time, at every stage of the business application life cycle. This, in turn, will ensure that the selected low-code platform is used not only for quickly building applications tailored to suit the current requirements and needs of the organization, but also modifying them in a safe and efficient manner, without endangering any other deployed applications and implemented processes, to make sure that they always stay up-to-date and support the company's operations.

- 26- According to paragraph 1, low-code platforms -----.
- 1) are easy to develop
 - 2) have a graphical user interface
 - 3) require specialized programming knowledge
 - 4) help employees easily understand complex business scenarios
- 27- All of the following are mentioned in paragraph 2 as the benefits offered by low-code platforms EXCEPT -----.
- 1) efficient business automation
 - 2) electronic document management
 - 3) personalized business applications
 - 4) effective relationship with development teams
- 28- The word "their" in paragraph 2 refers to -----.
- 1) companies
 - 2) low-code platforms
 - 3) business processes
 - 4) business applications
- 29- What can be correctly inferred from the passage about low-code platforms?
- 1) Coding skills help us obtain their full benefits.
 - 2) Only development teams can efficiently use them.
 - 3) They may vary according to their functionality, architecture and flexibility.
 - 4) They support a company's operations without the need for any workforce.
- 30- Paragraph 3 suggests choosing low-code platforms that offer -----.
- 1) a user-friendly interface
 - 2) quick development of applications
 - 3) building different applications simultaneously
 - 4) making future modifications to the applications

ریاضیات (ریاضی عمومی (۱ و ۲)، آمار و احتمال مهندسی، ریاضیات گسسته):

۳۱) اگر $\lim_{x \rightarrow \infty} (\cos x + ax^2)^{\frac{1}{x - \sin x}} = A$ و عددی کران دار باشد، مقدار $a + A$ ، کدام است؟

(۱) $\frac{2}{2}$

(۲) ۱

(۳) $\frac{2}{4}$

(۴) $\frac{1}{2}$

۳۲) اگر $z = x^n e^{\frac{y^2}{x}}$ باشد، برای کدام مقدار n ، تساوی $\frac{1}{4y^3} \frac{\partial}{\partial y} \left(-y^3 \frac{\partial z}{\partial y} \right) = \frac{\partial z}{\partial x}$ برقرار است؟

(۱) ۲

(۲) $\frac{1}{2}$

(۳) $-\frac{1}{2}$

(۴) -۲

Moshaveranetahsili.ir



۳۳) مشتق سویی (جهتی) تابع $f(x, y) = x^2 + e^{xy} - 3xy^2$ در نقطه $(1, 0)$ و در جهت بردار یکه‌ای که با جهت مثبت محور x ها زاویه $\frac{\pi}{4}$ می‌سازد، کدام است؟

(۱) $\frac{\sqrt{2}}{2}$

(۲) $\sqrt{2}$

(۳) $\frac{3\sqrt{2}}{2}$

(۴) $2\sqrt{2}$

تخصصی ترین مرکز مشاوره، برنامه ریزی

تضمین قبولی کارشناسی ارشد

moshaveranetahsili.ir



۳۴) مقدار $\int_1^{\infty} \frac{e^x}{9^x - 4^x} dx$ ، کدام است؟

(۱) $\frac{\ln 5}{\ln 3/5}$

(۲) $\frac{\ln 3}{\ln 2/5}$

(۳) $\frac{\ln 5}{\ln 2/25}$

(۴) $\frac{\ln 3}{\ln 1/75}$

Moshaveranetahsili.ir

۳۵- فرض کنید منحنی C اضلاع مثلث به رئوس $(0, 0)$ ، $(2, 0)$ و $(2, 2)$ در صفحه مختصات است، که در جهت

خلاف حرکت عقربه‌های ساعت پیموده می‌شود. مقدار $\oint_C \sin(x^2) dx + 2ye^{x^2} dy$ ، کدام است؟

(۱) $2e^4 + 1$

(۲) $2e^4 - 1$

(۳) $e^4 + 2$

(۴) $e^4 - 2$

۳۶- فرض کنید S سطح بیرونی مخروط $x^2 + y^2 = z^2$ ($0 \leq z \leq h$) باشد. مقدار

$\iint_S (y-z) dy dz + (z-x) dz dx + (x-y) dx dy$ ، کدام است؟

(۱) π

(۲) 2π

(۳) 4π

(۴) صفر

۳۷- فرض کنید داده‌های زیر یافته‌های یک نمونه تصادفی است. مقدار سه تایی (Q_1, Q_2, Q_3) ، کدام است؟

۱, ۱, ۱, ۲, ۳, ۵, ۵, ۸, ۱۲, ۱۳, ۱۴, ۱۴, ۱۴, ۱۴, ۱۸, ۱۰۰

(۱) $(2/5, 10, 14)$

(۲) $(2, 10, 14)$

(۳) $(2, 12, 14)$

(۴) $(2/5, 12, 14)$

۳۸- ضریب $ab^2c^3d^4$ در بسط $(4a - 2b + 2c - d)^{10}$ ، کدام است؟

(۱) $10!$

(۲) $9!$

(۳) $8!$

(۴) $7!$

۳۹- دو کارخانه A و B رادیو تولید می‌کنند. می‌دانیم که ۵٪ از محصولات کارخانه A و ۱٪ از محصولات کارخانه B

معیوب هستند. اگر دو رادیو را از یک کارخانه (با احتمال مساوی یا از B یا از A) خریداری کنیم و یکی از رادیوها

معیوب باشد، چقدر احتمال دارد که دومی نیز خراب باشد؟

(۱) $\frac{3}{100}$

(۲) $\frac{4}{100}$

(۳) $\frac{6}{100}$

(۴) $\frac{7}{100}$

۴۰- گشتاور مرتبه r ام متغیر تصادفی X به صورت زیر داده شده است:

$$E(X^r) = \frac{1}{r+1}, \quad r=1,2,3,\dots$$

در این صورت $P(0 < X < \frac{1}{4})$ ، کدام است؟

(۱) ۰/۱۵

(۲) ۰/۲۵

(۳) ۰/۵

(۴) ۰/۷۵

۴۱- در رابطه $X \sim \text{Beta}(3, 1)$ ، به ازای کدام مقدار c ، $Y = c \ln X$ دارای توزیع $\chi^2_{(2)}$ است؟

(۱) -۶

(۲) -۳

(۳) ۳

(۴) ۶

Moshaveranetahsili.ir

۴۲- یک سکه سالم را ۳ مرتبه پرتاب می‌کنیم. اگر $X =$ تعداد پشت‌ها در پرتاب اول و $Y =$ تعداد پشت‌ها در دو پرتاب

آخر و $Z =$ تعداد پشت‌ها در دو پرتاب اول باشد، مقدار $(\text{Cov}(X, Y), \text{Cov}(X, Z))$ ، کدام است؟

(۱) $(\frac{1}{2}, 0)$

(۲) $(0, \frac{1}{2})$

(۳) $(\frac{1}{4}, \frac{1}{4})$

(۴) $(0, \frac{1}{4})$

مشاوران تحصیلی

تخصصی ترین مرکز مشاوره، برنامه ریزی

۴۳- یافته‌های یک نمونه تصادفی ۴۹ تایی از توزیع $N(\mu, 36)$ دارای میانگین نمونه‌ای ۶/۲۵ و واریانس نمونه‌ای ۳۶

است. علاقمند به آزمون $H_0: \mu = 4$ در برابر $H_1: \mu \neq 4$ در سطح ۰/۱ هستیم. (پی مقدار = p-value).

نتیجه آزمون، کدام است؟

(۱) p-value = ۰/۰۵

(۲) با اطلاعات داده شده نمی‌توان تصمیم گرفت.

(۳) چون p-value < ۰/۱ است، فرض H_0 را رد می‌کنیم.

(۴) چون p-value < ۰/۱ است، دلیلی بر رد فرض H_0 در سطح ۰/۱ نیست.

مشاوران

Moshaveranetahsili.ir

۴۴- از مجموعه اعداد $\{1, 2, \dots, 2n\}$ زیرمجموعه‌ای را به صورت تصادفی (با احتمال یکنواخت) انتخاب کرده‌ایم. احتمال آن که تعداد اعداد زوج در این زیرمجموعه با تعداد اعداد فرد درون زیرمجموعه برابر باشد چقدر است؟

(۱) $\frac{n(n+1)}{2^{2n}}$

(۲) $\frac{\binom{2n}{n}}{2^n}$

(۳) $\frac{1}{2}$

(۴) $\frac{2}{n}$

۴۵- اگر $P(x)$ و $Q(x)$ دو گزاره‌نما باشند، کدام عبارت منطقی زیر همیشه درست است؟

(الف) $[\exists x(P(x) \wedge Q(x))] \leftrightarrow [(\exists xP(x)) \wedge (\exists xQ(x))]$

(ب) $[\forall x(P(x) \rightarrow Q(x))] \rightarrow [(\exists xP(x)) \rightarrow (\forall xQ(x))]$

(۱) (الف) درست، (ب) درست (۲) (الف) درست، (ب) نادرست

(۳) (الف) نادرست، (ب) درست (۴) (الف) نادرست، (ب) نادرست

۴۶- چند تا از مجموعه‌های زیر شمارا است؟

- هر مجموعه از دایره‌های نامتقاطع با شعاع بزرگتر از صفر در صفحه
- هر مجموعه از دایره‌های نامتقاطع با شعاع واحد در صفحه
- هر مجموعه از دیسک‌های غیر هم‌پوشان با شعاع بزرگتر از صفر در صفحه

(۱) ۰ (۲) ۱ (۳) ۲ (۴) ۳

۴۷- تعداد راه‌های افزایش نامرتب عدد ۵۶ به اعداد ۱ و ۲ و ۵ برابر با ضرب $x^{۵۶}$ در کدام یک از عبارات زیر است؟

(۱) $\frac{1}{1 - (x + x^2 + x^5)}$

(۲) $\frac{1}{(1-x)(1-x^2)(1-x^5)}$

(۳) $(1+x+x^2+x^5)^{۵۶}$

(۴) $[(1+x)(1+x^2)(1+x^5)]^{۵۶}$

۴۸- چند زوج از اعداد اول مانند (p, q) وجود دارد، طوری که عدد $2^2 + p^2 + q^2$ اول باشد؟

(۱) ۰

(۲) ۱

(۳) ۲

(۴) بی‌نهایت

- ۴۹- با توجه به دو گزاره زیر، کدام گزینه صحیح است؟
 الف) هر شبکه منتهای دارای حداقل یک عضو ماکزیمم و یک عضو مینیمم است.
 ب) در هر شبکه کران دار، هر عضو دارای حداقل یک متمم است.
 (۱) الف) نادرست، (ب) نادرست
 (۲) الف) نادرست، (ب) درست
 (۳) الف) درست، (ب) نادرست
 (۴) الف) درست، (ب) درست
- ۵۰- فرض کنید a_n برابر با تعداد اعداد حداکثر n رقمی در مبنای ۵ باشد که تعداد رقم‌های یک آن زوج است. در این صورت a_n در کدام یک از رابطه‌های بازگشتی زیر صدق می‌کند؟
 (۱) $a_n = 3a_{n-1} + 5^{n-1}$
 (۲) $a_n = 3a_{n-1} + a_{n-2}$
 (۳) $a_n = 4a_{n-1} + a_{n-2}$
 (۴) $a_n = 4a_{n-1} + 5^{n-1}$

دروس تخصصی ۱ (نظریه زبان‌ها و ماشین‌ها، سیگنال‌ها و سیستم‌ها):

- ۵۱- کدام یک از گزاره‌های زیر درست است؟
 (۱) مجموعه تمام ماشین‌های تورینگ روی یک الفبا ناشمارا است.
 (۲) مجموعه تمام زبان‌های تصمیم ناپذیر روی یک الفبا ناشمارا است.
 (۳) مجموعه همه رشته‌های تعریف شده روی یک الفبا ناشمارا است.
 (۴) مجموعه تمام زبان‌های نامنظم روی یک الفبا شمارا است.
 ۵۲- سه زبان L_1, L_2, L_3 با تعاریف زیر مفروضند. کدام گزاره صحیح است؟
 $L_1 = \{wo^n \mid w \in \{a,b\}^*, n_a(w) = n_b(w) = n, |w| = 2n\}$
 $L_2 = \{wo^n \mid w \in \{a,b\}^*, |w| = n\}$
 $L_3 = \{wo^n \mid w \in \{a,b\}^*, n_a(w) = n \text{ یا } |w| = n\}$
 (۱) L_2 و L_3 هر دو از نوع مستقل از متن قطعی هستند ولی L_1 از این نوع نیست.
 (۲) L_2 مستقل از متن قطعی است ولی L_1 مستقل از متن غیرقطعی است.
 (۳) L_2 مستقل از متن قطعی و L_3 مستقل از متن غیرقطعی است.
 (۴) هر سه زبان از نوع مستقل از متن هستند.
 ۵۳- گرامر زیر چه زبانی را تولید می‌کند؟ (ϵ بیانگر رشته خالی است).
 $G: S \rightarrow S_1 B$
 $S_1 \rightarrow aS_1 b$
 $bB \rightarrow bbb B$
 $aS_1 b \rightarrow aa$
 $B \rightarrow \epsilon$

(۱) $L(G) = \{a^{n+1} b^{n+k} \mid n \geq 1, k = -1, 1, 3, 5, \dots\}$

(۲) $L(G) = \{a^n b^{n+2k} \mid n \geq 2, k = 0, 1, 2, \dots\}$

(۳) $L(G) = \{a^{n+1} b^{n+k} \mid n \geq 1, k \geq 0\}$

(۴) $L(G) = \{a^n b^m \mid n \geq 2, m \geq 0\}$

۵۴- از میان چهار جمله زیر، چه تعداد از آن‌ها صحیح است؟

الف- اشتراک دو زبان بازگشتی، لزوماً یک زبان بازگشتی است.

ب- اگر $h(L)$ (تصویر همومورفیک L) منظم باشد می‌توان نتیجه گرفت خود L نیز منظم است.

ج- اجتماع دو زبان مستقل از متن قطعی، خود یک زبان مستقل از متن قطعی است.

د- زبان‌های شمارش‌پذیر بازگشتی تحت عملیات مکمل‌گیری بسته هستند.

- (۱) ۱
(۲) ۲
(۳) ۳
(۴) ۴

۵۵- اگر M یک ماشین حالت متناهی قطعی (DFA) باشد می‌گوییم دو رشته x و y نسبت به M با هم معادلند، هرگاه

$$(s, y) \xrightarrow{*}_M q \Leftrightarrow (s, x) \xrightarrow{*}_M q$$

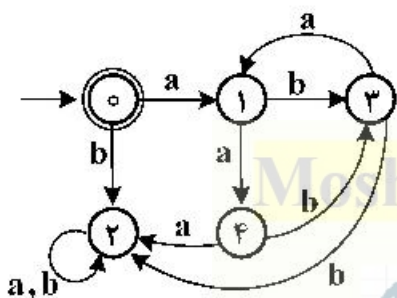
هم‌ارزی رشته‌ها نسبت به ماشین روبه‌رو کدام است؟

(۱) $[aa], [ab], [\epsilon]$

(۲) $[\epsilon], [a], [ab], [bb]$

(۳) $[\epsilon], [a], [ab], [aab], [b]$

(۴) $[b], [aa], [ab], [a], [\epsilon]$



۵۶- حداقل فرکانس نمونه برداری (f_s) برای سیگنال $x(t) = \left(\frac{\sin(1500\pi t)}{\pi t}\right)^2$ چقدر باید باشد که تداخل فرکانسی رخ ندهد؟

(۲) $f_s = 3000 \text{ Hz}$

(۱) $f_s = 1500 \text{ Hz}$

(۴) $f_s = 7500 \text{ Hz}$

(۳) $f_s = 6000 \text{ Hz}$

۵۷- تبدیل Z سیگنال گسسته $x[n]$ دارای دو صفر در نقاط $\pm j$ و یک قطب در نقطه $\frac{1}{4}$ در صفحه Z است. مکان صفرها و قطب‌های تبدیل Z سیگنال $y(n) = x(n) \cdot \left(\frac{1}{4}\right)^n \cdot \cos\left(\frac{\pi}{4}n\right)$ کدام است؟

(۱) دو قطب در نقاط $\pm \frac{1}{4}$ و دو صفر در $\pm j$ (۲) یک قطب در نقطه $\frac{1}{4}$ و دو صفر در $\pm j$

(۳) دو قطب در نقاط $\pm \frac{1}{4}$ و دو صفر در $\pm j$ (۴) دو قطب در نقاط $\pm \frac{1}{4}$ و دو صفر در $\pm j$

۵۸- یک سیستم پیوسته، سببی، LTI و ناپایدار دارای تابع تبدیل $H(s) = \frac{s+1}{s+\beta}$ است. این سیستم به‌ازای ورودی

$$x(t) = 2, \quad y(t) = \frac{\beta}{4}$$

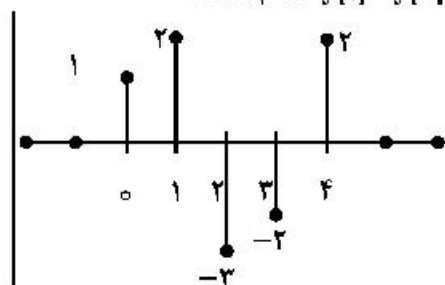
(۱) $\beta = -2$

(۲) $\beta = -4$

(۳) $\beta = 2\sqrt{2}$

(۴) $\beta = -2\sqrt{2}$

۵۹- سیگنال $x(n)$ در شکل زیر اگر دارای تبدیل فوریه $X(e^{j\omega})$ باشد و سیگنال $y[n]$ با تبدیل فوریه $Y(e^{j\omega})$ به صورت $Y(e^{j\omega}) = \text{Re}\{e^{j\omega} \times (e^{-j2\omega})\}$ تعریف شده باشد. مقدار $|y[1]| \times |y[4]|$ کدام است؟



- (۱) $\frac{1}{2}$
- (۲) $\frac{2}{4}$
- (۳) ۲
- (۴) -۲

۶۰- $x(t)$ و $y(t)$ سیگنال‌های با پهنای باند Ω و انرژی‌های E_x و E_y هستند. اگر $w > \Omega$ و $z(t) \triangleq x(t) \cos wt + y(t) \sin wt$ باشند، در این صورت $z(t)$ سیگنال برابر است.

- (۱) انرژی با انرژی ، $E_x + E_y$
- (۲) انرژی با انرژی ، $\frac{1}{2}(E_x + E_y)$
- (۳) توان با توان متوسط ، $2\pi(E_x + E_y)$
- (۴) توان با توان متوسط ، $\frac{\pi}{\Omega}(E_x + E_y)$

Moshaveranetahsili.ir

دروس تخصصی ۲ (ساختمان داده‌ها، طراحی الگوریتم و هوش مصنوعی):

۶۱- خانواده $H = \{h_1, h_2\}$ از توابع درهم‌ساز را در نظر بگیرید که $h_i: \{1, 2, \dots, n\} \rightarrow \{0, 1\}$. برای آن که این خانواده یک خانواده درهم‌ساز سراسری باشد، n حداکثر چند می‌تواند باشد؟ خانواده توابع Π سراسری است، اگر و فقط اگر به‌ازای هر دو مقدار u و v داشته باشیم: $\Pr_{h \in H} [h(u) = h(v)] \leq \frac{1}{m}$ که m اندازه جدول درهم‌سازی است.

- (۱) ۲
- (۲) ۴
- (۳) ۸
- (۴) به‌ازای هر n این کار امکان‌پذیر است.

تخصصی ترین مرکز مشاوره، برنامه ریزی

۶۲- اعداد $1, 2, \dots, 10$ را به ترتیب از چپ به راست در یک درخت دودویی جستجو که در اول کار تهی است درج می‌کنیم. بعد از درج همه عناصر می‌خواهیم درخت حاصل را به درخت دودویی جستجو با ارتفاع ۳ تبدیل کنیم. برای این کار تنها مجاز به استفاده از عمل چرخش (به چپ یا راست) هستیم. با حداقل چندبار چرخش می‌توان این کار را انجام داد؟

(منظور از چرخش همان عملیات متعارفی است که برای متوازن‌سازی درخت‌های دودویی جستجو استفاده می‌شود).

- (۱) ۶
- (۲) ۷
- (۳) ۸
- (۴) ۹

Moshaveranetahsili.ir

- ۶۳- چند مورد از داده ساختارهای زیر را نمی‌شود ساخت که اعمال گفته شده را در زمان خواسته شده انجام دهد؟
 - عمل‌های Pop , Push , FindMin و FindMax را در $\Theta(1)$ انجام دهد.
 - عمل‌های Pop , Push و DeleteMin را در $\Theta(1)$ انجام دهد.
 - عمل‌های Pop , Push را در $\Theta(1)$ انجام دهد.

- (۱) صفر
 (۲) یک
 (۳) دو
 (۴) سه

- ۶۴- یک ماتریس 64×64 داریم که درایه‌های آن همه ۰ یا ۱ هستند. می‌خواهیم این ماتریس را به صورت مارپیچی مرتب کنیم. یعنی اگر در انتها، سطر اول را از چپ به راست به سطر دوم از راست به چپ و ... بچسبانیم یک آرایه 64×96 بیتی مرتب از ۰ و ۱ خواهیم داشت. ادعا می‌کنیم که الگوریتم زیر این کار را انجام می‌دهد:
 ۱. k بار تکرار کن.

a. همه سطرها را مستقلاً و در جهت خود مرتب کن. یعنی سطرهای فرد را از چپ به راست، سطرهای زوج را از راست به چپ مرتب کن.

b. همه ستون‌ها را از بالا به پایین مرتب کن.

کم‌ترین مقدار k در بدترین حالت چند است؟

- (۱) ۷
 (۲) ۲۲
 (۳) ۶۴



مشاوران

تحصیلی

- ۶۵- کدام یک از مسائل زیر را می‌توان در زمان $O(n^{2/5})$ حل کرد؟

الف) پیدا کردن کوتاه‌ترین مسیر بین هر دو رأس در گراف وزن دار با n رأس

ب) ضرب دو ماتریس $n \times n$

ج) پیدا کردن تعداد جفت رئوسی که همسایه مشترک دارند در یک گراف n رأسی

- (۱) الف و ب
 (۲) الف و ج
 (۳) ب و ج
 (۴) هیچ یک از موارد فوق

- ۶۶- فرض کنید T ۱۰۰ در اختیار داریم. جدول نرخ تبدیل ارزها در زیر داده شده است. به عنوان نمونه طبق جدول زیر هر $1E$ برابر $30T$ می‌باشد. می‌خواهیم با چندین بار تبدیل پول و نهایتاً تبدیل آن به T درآمد کسب کنیم. چه میزان درآمد می‌توانیم کسب کنیم؟ (توجه کنید که $100T$ اولیه درآمد حساب نمی‌شود.)

T	P	E	D	
25	$\frac{1}{1/4}$	$\frac{1}{1/2}$	1	D
30	$\frac{1}{1/1}$	1	$1/2$	E
35	1	$1/1$	$1/4$	P
1	$\frac{1}{35}$	$\frac{1}{30}$	$\frac{1}{25}$	T

- (۱) صفر
 (۲) $102T$
 (۳) $1400T$
 (۴) به هر میزان که بخواهیم

۶۷ متنی که هر حرف آن یکی از چهار نویسه $\{a, b, c, d\}$ است را با الگوریتم هافمن کدگذاری کرده‌ایم. طول کد هافمن این متن ۲۰۲۱ بیت شده است. طول کد چهار نویسه فوق در کدگذاری هافمن کدام است؟

(۲) ۱, ۲, ۲, ۳

(۱) ۱, ۲, ۳, ۳

(۴) ۲, ۲, ۲, ۲

(۳) ۱, ۲, ۳, ۴

۶۸- یک درخت ۱۰ رأسی داریم که یکی از رأس‌های آن به‌عنوان هدف در نظر گرفته شده است، اما ما از آن اطلاع نداریم. در هر پرسمان می‌توانیم یک رأس را انتخاب کنیم و متوجه شویم آیا این رأس هدف است یا نه و اگر نیست کدام یال آن به هدف نزدیک‌تر است. در بدترین حالت با حداقل چند پرسمان می‌توانیم رأس هدف را پیدا کنیم؟

(۲) ۵

(۱) ۹

(۴) ۳

(۳) ۴

۶۹- گراف بدون جهت و وزن دار G و رأس مشخص s از این گراف را در نظر بگیرید. از الگوریتم دایکسترا برای محاسبه کوتاه‌ترین مسیر ساده از s به بقیه رئوس استفاده کرده‌ایم. به‌ازای چند حالت زیر این الگوریتم با وجود وزن‌های منفی همیشه درست کار می‌کند؟

• هر یالی بتواند وزن منفی داشته باشد.

• تنها یال‌های منتهی به s بتوانند وزن منفی داشته باشند.

• تنها یال‌های برشی گراف G بتوانند وزن منفی داشته باشند.

• به‌ازای هر دور از گراف G حداکثر یک یال بتواند وزن منفی داشته باشد.

(۲) ۱

(۱) ۰

(۴) ۳

(۳) ۲

۷۰- سالن مربعی شکل در اختیار داریم که مختصات گوشه چپ - پایین آن $(0,0)$ و مختصات گوشه راست - بالا آن $(10,10)$ است. چهار نفر در این سالن در مکان‌های $(9,4)$, $(5,8)$, $(4,3)$, $(1,7)$ قرار گرفته‌اند. می‌خواهیم از گوشه چپ - پایین به گوشه راست - بالا برویم. به هر شکل می‌توانیم حرکت کنیم، تنها نباید از سالن خارج شویم. حداکثر فاصله اجتماعی که می‌توانیم رعایت کنیم چند است؟

(۱) $\frac{\sqrt{17}}{2}$

(۲) $2/5$

(۴) $\frac{\sqrt{26}}{2}$

(۳) $2\sqrt{2}$

۷۱- آرایه‌ای شامل n عدد را در نظر بگیرید. در هر پرسمان، می‌توانیم دو اندیس i و j که اندیس شروع و پایان یک بازه از آرایه هستند را بدهیم و به ما مجموع اعداد بازه داده می‌شود. هدف پیدا کردن بازه‌ای است که مجموع اعداد بازه بیشینه شود. چه تعداد پرسمان برای این کار نیاز است؟

(۲) $O(n^2)$

(۱) $O(n)$

(۴) $O(n \log n)$

(۳) $O(\log n)$

۷۲- دو دنباله که هر کدام یک جایگشت از اعداد ۱ تا n هستند، داده شده است. بزرگ‌ترین زیر دنباله مشترک این دو دنباله را در چه زمانی می‌توان به دست آورد؟

(۲) $O(\log n)$

(۱) $O(n^2)$

(۴) $O(n\sqrt{n})$

(۳) $O(n \log n)$

۷۳- در حل یک مسئله ارضای قیود، از الگوریتم AC-3 استفاده شده است. فرض کنید هر قید شامل دو متغیر است، و اندازه دامنه متغیرها، یکسان و برابر با d است. همین‌طور تعداد متغیرها برابر با n است. هر یال گراف قیود حداکثر چند بار نیاز به سازگار شدن دارد؟

- (۱) ۱
 (۲) d
 (۳) n
 (۴) $n-1$

۷۴- محیط زیر با کنش‌های (action) بالا U ، پایین D ، چپ L و راست R را در نظر بگیرید. کنش‌هایی که باعث ورود به خانه S_5 می‌شوند پاداش برابر با ۱۰ دارند و خود S_5 خانه وضعیت پایان است. سایر کنش‌ها پاداش ۱- دارند. مقدار ضریب تخفیف (discount factor) برابر $\gamma = 0.9$ را در نظر بگیرید. کدام گزینه صحیح است؟

S_1	S_2	S_3
S_4	S_5	S_6
S_7	S_8	S_9

- (۱) $V^*(S_1) = 8$
 $Q^*(S_7, D) = 6.2$
 (۲) $V^*(S_1) = 8$
 $Q^*(S_7, D) = 7.2$
 (۳) $V^*(S_1) = 9$
 $Q^*(S_7, D) = 7.1$
 (۴) $V^*(S_1) = 9$
 $Q^*(S_7, D) = 8.1$



مشاوران تحصیلی

۷۵- محیط زیر با وضعیت شروع S و وضعیت هدف G را در نظر بگیرید. فرض کنید خانه‌های خاکستری مسدود هستند و نمی‌توان به آن‌ها وارد شد. همچنین در هر وضعیت چهار کنش بالا U ، راست R ، پایین D و چپ L با هزینه برابر قابل انجام هستند. اولویت انتخاب کنش‌ها هم در شرایط یکسان به ترتیب از راست به چپ U, R, D, L خواهد بود. اگر کنشی منجر به برخورد به خانه‌های مسدود یا دیوارها شود، عامل (agent) سر جایش می‌ماند. اگر جستجو گرافیکی (graph search) انجام شود، خانه A در شکل زیر چندمین گره برداشته شده از صف برای گسترش در روش‌های DFS و BFS خواهد بود؟

	A					
	S				G	

- (۱) DFS: ۲ و BFS: ۲
 (۲) DFS: ۲ و BFS: ۶
 (۳) DFS: ۶ و BFS: ۲
 (۴) DFS: ۶ و BFS: ۶

۷۶- محیط زیر با وضعیت شروع S و وضعیت هدف G را در نظر بگیرید. فرض کنید خانه‌های خاکستری مسدود هستند و نمی‌توان به آن‌ها وارد شد. همچنین در هر وضعیت چهار کنش بالا U، راست R، پایین D و چپ L با هزینه برابر واحد قابل انجام هستند. اولویت انتخاب کنش‌ها هم در شرایط یکسان به ترتیب از راست به چپ D، L، U و R خواهد بود و برای برداشته شدن از صف هم در شرایط کاملاً یکسان از نظر معیار صف اولویت گره‌ای که زودتر در صف گذاشته شده برداشته می‌شود. اگر کنشی منجر به برخورد به خانه‌های مسدود یا دیوارها شود، عامل (agent) سر جایش می‌ماند. اگر جستجو گرافی (graph search) با روش A* با تابع ابتکاری (heuristic) فاصله منتهن تا هدف انجام شود، کدام ترتیب در برداشته شدن از صف جهت گسترش گره‌های مشخص A، B و C (از چپ به راست) درست است؟

		C				
	S	A			G	
	B					

A-C-B (۲)

A-B-C (۱)

B-C-A (۴)

B-A-C (۳)

۷۷- در کدام یک از گراف‌های قیود زیر با n رأس، الزاماً می‌توان مسئله ارضای قیود را در زمان چندجمله‌ای نسبت به تعداد متغیرها و اندازه مجموعه مقادیر مجاز متغیرها حل کرد؟

(۲) گرافی با فقط یک دور

(۱) گرافی با دو مؤلفه همبندی

(۴) هیچ کدام

(۳) گراف کامل

۷۸- برای حل یک مسئله جستجو، از روش‌های محلی تپه‌نوردی استفاده کرده‌ایم. فرض کنید احتمال موفقیت در جستجویی که از یک حالت تصادفی شروع می‌شود، برابر با ۲۵ درصد است. زمانی که جستجو موفقیت‌آمیز باشد، به صورت متوسط نیاز به طی کردن ۷ گام دارد و در صورتی که به یک کمینه محلی غیربهبینه همگرا شود، به صورت متوسط ۹ گام طی می‌شود. به منظور حصول اطمینان از به جواب رسیدن روش، در صورت همگرایی به کمینه محلی غیربهبینه، از حالت تصادفی اولیه دیگری جستجو را آغاز می‌کنیم. به صورت متوسط چند گام برای رسیدن به پاسخ بهینه سراسری باید طی شود؟

(۲) ۲۸

(۱) ۲۷

(۴) ۴۳

(۳) ۳۴

۷۹- فرض کنید برای حل یک مسئله جستجوی خصمانه از روش درخت min-max با هرس $\alpha-\beta$ استفاده می‌کنیم. در یکی از مراحل میانی که مقدار max را تخمین می‌زنیم، مقدار α برابر با ۴، مقدار β برابر با ۳ و تخمین فعلی حالت max برابر با صفر است. فرض کنید در این مرحله، مقدار یکی از حالت‌های بعدی حالت max مذکور را به صورت بازگشتی محاسبه کرده‌ایم. به ازای کدام مقدار برای حالت بعدی، حالت max مذکور را هرس می‌کنیم؟

(۲) ۱

(۱) ۰

(۴) ۴

(۳) ۲

۸۰- کدام گزینه در مورد حل مسائل CSP درست است؟

- ۱) استفاده از forward checking در طول الگوریتم معادل با استفاده از AC3 قبل از اجرا و فیلتر کردن دامنه‌هاست.
- ۲) استفاده از پیش‌پردازش و فیلتر کردن دامنه‌ها توسط AC3 ممکن است باعث شود که برخی از جواب‌های مسأله CSP را از دست بدهیم.
- ۳) برای مسائل CSP که جواب ندارند پیش‌پردازش صورت گرفته توسط AC3 همیشه به دامنه تپی حداقل یکی از متغیرها منجر می‌شود.
- ۴) اگر در یک مسئله CSP دنبال همه جواب‌ها باشیم استفاده از تکنیک‌های مشخص‌کننده ترتیب متغیرها (variable ordering) و ترتیب مقادیر (value ordering) تأثیری در بهبود سرعت نخواهد داشت.

دروس تخصصی ۳ (مدار منطقی، معماری کامپیوتر و الکترونیک دیجیتال):

۸۱- مدار زیر را در نظر بگیرید که از سه فلیپ فلاپ T تشکیل شده است و دارای خروجی با ترتیب (Q_2, Q_1, Q_0) است. توالی تولید شده توسط این مدار در حالتی که شروع مدار از "۱۱۱" باشد، برابر کدام گزینه است؟



۸۲- تعداد Essential Prime Implicant (EPI) ها در تابع زیر برابر کدام گزینه است؟

$$f(a, b, c, d) = \sum m(0, 1, 4, 5, 10, 15) + d(7, 14)$$

- ۲ (۱)
- ۳ (۲)
- ۴ (۳)
- ۵ (۴)

۸۳- اگر هزینه هر گیت را برابر تعداد ورودی‌های آن در نظر بگیریم، کمترین هزینه لازم برای پیاده‌سازی یک مالتی‌پلکسر ۴ به ۱ کدام است؟

- ۷ (۱)
- ۱۴ (۲)
- ۱۸ (۳)
- ۲۱ (۴)

۸۴- تابع بولی متناظر با ورودی‌های فلیپ فلاپ D که جهت طراحی مدار تشخیص رشته ورودی ۱۰۰۱ با طراحی به صورت میلی لازم است، در کدام گزینه درست است؟ رشته ورودی می‌تواند همپوشان باشد. برای مثال:

$$x = 0101001000110010010$$

$$z = 000000010000000010010$$

فرض کنید کدگذاری حالت‌ها به ترتیب دنباله اعداد باینری باشد.

$$\begin{aligned} d_{11} &= x + y_1 \cdot \bar{y}_0 & d_{10} &= x \oplus y_1 \\ d_{10} &= \bar{x}(y_1 \oplus y_0) & d_{11} &= y_1 \bar{y}_0 + \bar{x}(y_1 + y_0) \end{aligned} \quad (1)$$

$$\begin{aligned} d_{01} &= x \odot y_1 & d_{00} &= x \oplus y_1 \\ d_{00} &= y_1 \bar{y}_0 \cdot x + \bar{x} y_1 & d_{01} &= y_1 y_0 + \bar{x}(\bar{y}_1 \bar{y}_0) \end{aligned} \quad (3)$$

۸۵- فرض کنید تابع $f(A, B, C, D) = \sum m(2, 4, 6, 9, 10, 11, 15)$ با یک مالتی پلکسر ۸ به ۱، یک وارونگر و متغیر A به عنوان ورودی و B و C و D به ترتیب به عنوان انتخابگر ۸۰، ۸۱، ۸۲ پیاده‌سازی شده باشد. این ساختار به ترتیب از راست به چپ، چند ورودی ثابت صفر و چند ورودی ثابت ۱ دارد؟

Moshaveranetahsili.ir

- (۱) ۱ و ۲
(۲) ۲ و ۲
(۳) ۱ و ۲
(۴) ۱ و ۳

۸۶- مدار ترکیبی با معادلات حالت زیر را در نظر بگیرید. چند حالت در این مدار قابل دسترس نیستند؟ (به عبارتی نمی‌توان با بازنشانی (Reset) کردن فلیپ‌فلاپ‌ها به حالت ۰۰۰ و چندین گذار به آن‌ها رسید.) (لازم به ذکر است حالت مدار با ABC مشخص می‌شود.)

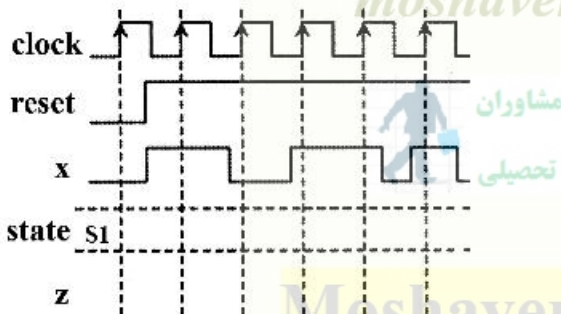
$$\begin{aligned} \text{next } A &= A \cdot \bar{B} + \bar{A} \cdot B \cdot C \\ \text{next } B &= \bar{C} A + \bar{A} C \\ \text{next } C &= \bar{A} \bar{B} + A \cdot B \cdot C \end{aligned}$$

مشاوران تحصیلی

تخصصی ترین مرکز مشاوره، برنامه ریزی

تضمین قبولی کارشناسی ارشد

۸۷- مدار و شکل موج زیر را در نظر بگیرید. تعداد گذارهای z از یک به صفر کدام است؟ (reset فعال صفر است و صفر بودن آن، سیستم را در حالت S1 نگه می‌دارد.)



Moshaveranetahsili.ir

۸۸- عدد مکمل ۲ 10011101 در عملیات ضرب به روش Booth به عنوان ضرب کننده (Multiplier) شرکت می‌کند. این عدد براساس این روش با توجه به ارقام (+1, 0, -1) به چه صورت رمزگشایی می‌شود؟

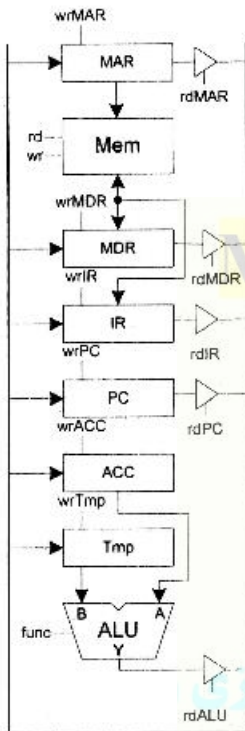
- (۱) (+1, 0, +1, 0, 0, +1, -1, +1)
(۲) (+1, 0, +1, 0, 0, +1, +1, -1)
(۳) (-1, 0, +1, 0, 0, -1, -1, +1)
(۴) (-1, 0, +1, 0, 0, -1, +1, -1)

۸۹- یک سیستم حافظه‌ای دارای یک حافظه اصلی به گنجایش ۴GW و یک حافظه Cache با گنجایش ۲۵۶kW (W:word) (۴ کلمه در هر بلوک) است. اگر Cache از مکانیزم ۴-way set associative استفاده کند، کدام

گزینه تعداد بیت‌های لازم برای فیلدهای Tag و Index را نشان می‌دهد؟

- (۱) ۱۴ بیت برای Index و ۱۴ بیت برای Tag
 (۲) ۱۴ بیت برای Index و ۱۶ بیت برای Tag
 (۳) ۱۶ بیت برای Index و ۱۴ بیت برای Tag
 (۴) ۱۶ بیت برای Index و ۱۶ بیت برای Tag

۹۰- شکل زیر مسیر داده یک پردازنده Accumulator Based ساده و جدول صحت واحد ALU آن را نشان می‌دهد. برای اجرای دستور adr دستور TWOSCOMP به چند سیکل نیاز است؟ (این دستور محتویات خانه حافظه به آدرس adr را مکمل ۲ می‌کند. توجه کنید که باید از مرحله واکنشی دستور کار را شروع کنید.)



Func	Y
000	A
001	B
010	A + B
011	A - B
100	B + 1
101	A + 1
110	A and B
111	NOT B

تضمین قبولی کارشناسی ارشد

moshaveranetahsili.ir

- (۱) ۵
 (۲) ۶
 (۳) ۹
 (۴) ۱۰

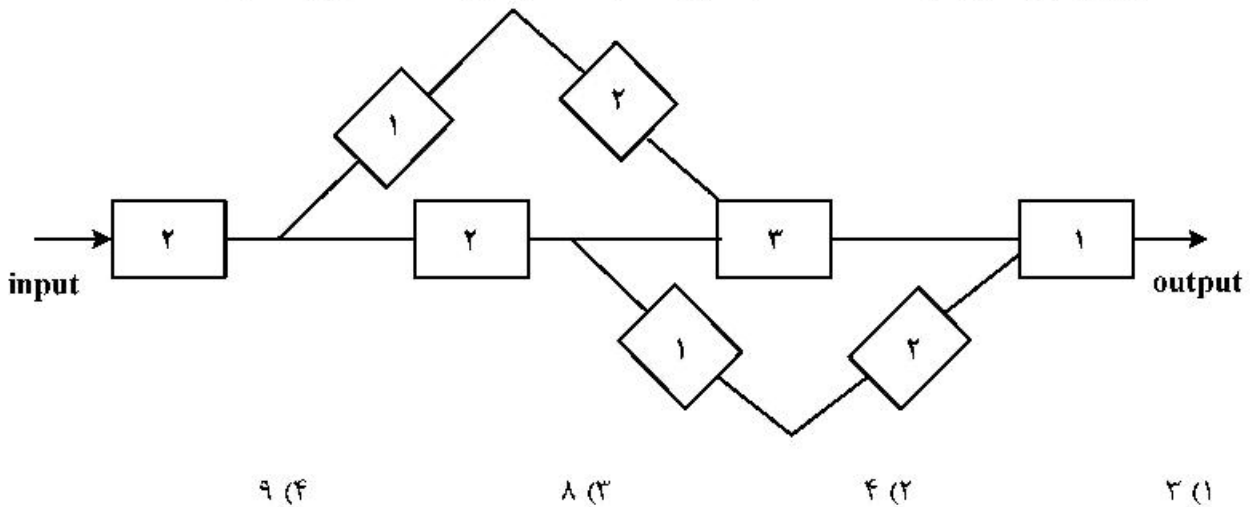
۹۱- قالب نمایش اعداد ممیز شناور زیر را در نظر بگیرید. در صورتی که در این نمایش از Implicit One Representation و ۴-Biased استفاده شود، کدام گزینه، بزرگ‌ترین عدد قابل نمایش را

نشان می‌دهد؟



- (۱) ۷/۵
 (۲) ۱۵/۵
 (۳) ۱۲۰
 (۴) ۲۴۸

۹۲- در مدار زیر با توجه به تأخیر هر ماژول که در داخل آن ذکر شده است، در صورت استفاده از خط لوله در بهترین حالت، برای بینهایت ورودی مختلف حداکثر تسریع کدام است؟ (تأخیر اتصالات ناچیز است).



۳ (۱) ۴ (۲) ۸ (۳) ۹ (۴)

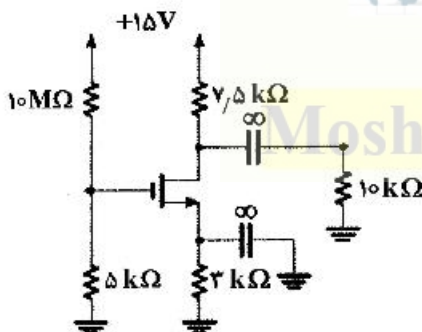
۹۳- کدام گزاره نادرست است؟

- (۱) هنگام تقسیم مقسوم $2n$ بیتی بر مقسوم علیه n بیتی در خارج قسمت n بیتی شرط کافی سرریز نشدن آن است که مقسوم علیه بزرگتر از نیمه پر ارزش مقسوم باشد.
- (۲) هنگام تقسیم مقسوم $3n$ بیتی بر مقسوم علیه $2n$ بیتی و خارج قسمت n بیتی شرط کافی سرریز نشدن آن است که مقسوم علیه بزرگتر از $2n$ بیت پر ارزش مقسوم باشد.
- (۳) هنگام تقسیم مقسوم $4n$ بیتی بر مقسوم علیه n بیتی و خارج قسمت $3n$ بیتی شرط کافی سرریز نشدن آن است که مقسوم علیه از n بیت پر ارزش مقسوم بزرگتر باشد.
- (۴) هنگام تقسیم مقسوم $4n$ بیتی بر مقسوم علیه $3n$ بیتی در خارج قسمت n بیتی شرط کافی سرریز نشدن آن است که $2n$ بیت پر ارزش مقسوم از نیمه پر ارزش مقسوم علیه کوچکتر باشد.

۹۴- در یک سیستم دیجیتال پردازش ورودی 12 نانو ثانیه زمان می برد. دو خط لوله مختلف A با 6 طبقه و تأخیر طبقات $(1, 2, 2, 3, 2, 1)$ نانو ثانیه و خط لوله B با 4 طبقه و تأخیر طبقات $(3, 3, 4, 3)$ برای این سیستم طراحی و ساخته شده اند. (تأخیر بافر بین طبقات ناچیز است). اگر زمان پردازش n ورودی با خط لوله A را با TA_n و زمان پردازش n ورودی با خط لوله B را با TB_n نشان دهیم، کدام مورد درست است؟

- (۱) $TA_3 \neq TB_3$
- (۲) $TA_6 > TB_6$
- (۳) $\frac{TA_\infty}{TB_\infty} = 1/5$
- (۴) $TA_3 < TB_3 + 8$

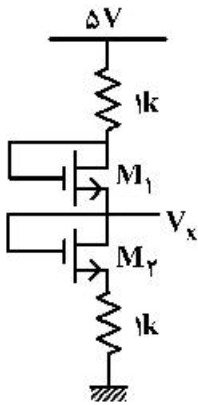
۹۵- در مدار روبه‌رو مقادیر V_{GS} و I_D کدام است؟



$$K = \mu C_{ox} W/L = 2 \frac{mA}{V^2}$$

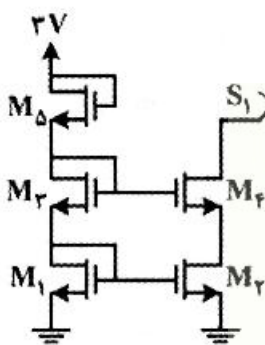
- (۱) $4mA, 2V$
- (۲) $1mA, 2V$
- (۳) $1mA, 5/33V$
- (۴) $4mA, 5/33V$

۹۶ در شکل روبه‌رو، $k_1 = 4k_2 = 3 \frac{\text{mA}}{\text{V}^2}$ و $V_{t1} = 1$ مقدار V_x کدام است؟



- (۱) ۰٫۷۵V
- (۲) ۱V
- (۳) ۲٫۵V
- (۴) ۲٫۷۵V

۹۷ در مدار شکل روبه‌رو با فرض یکسان بودن همه ترانزیستورها، چند ثانیه پس از بسته شدن کلید S1، ترانزیستور M_4 از ناحیه اشباع خارج می‌شود؟ (ولتاژ اولیه خازن صفر است.)

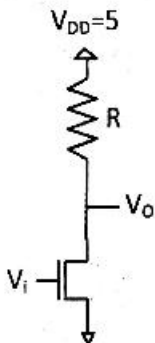


$$\mu_n C_{ox} (W/L)_2 = 200 \frac{\mu\text{A}}{\text{V}^2}$$

$$V_{TH} = 0.5 \text{ V}$$

- (۱) ۱/۵
- (۲) ۱/۷۵
- (۳) ۲
- (۴) ۳

۹۸ در یک معکوس‌کننده NMOS به شکل روبه‌رو با فرض $W_n = 4L_n$ و $k_n = 1 \frac{\text{mA}}{\text{V}^2}$ ، اگر $V_o = V_i = \frac{1}{R}$ باشد، اندازه مقاومت R کدام است؟ ($V_{tn} = 1$)



تخصصی ترین مرکز مشاوره، برنامه ریزی

تضمین قبولی کارشناسی ارشد

moshaveranetahsili.ir

- (۱) ۱۰۰
- (۲) ۲۰۰
- (۳) ۲۰۰۰
- (۴) ۲۵۰۰

۹۹ در مدار منطقی زیر تمامی ترانزیستورها از نوع NMOS هستند. با فرض اینکه برای همه ترانزیستورها داشته باشیم

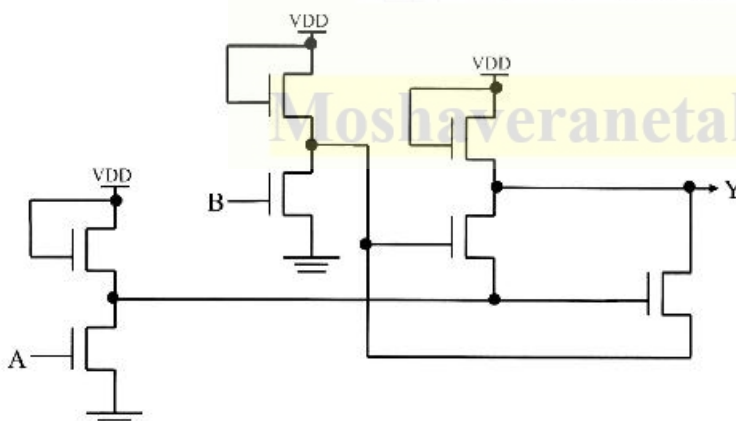
$$V_t = \frac{V_{DD}}{5}$$

$$Y = AB \quad (1)$$

$$Y = AB + \bar{A}\bar{B} \quad (2)$$

$$Y = \bar{A}\bar{B} \quad (3)$$

$$Y = \bar{A}B + A\bar{B} \quad (4)$$



- ۱۰۰- توان مصرفی کل یک گیت معکوس کننده CMOS به هنگام کار در فرکانس ۲۰۰ مگاهرتز برابر با ۲۰۰۰ میکرووات است. فرض کنید که ولتاژ تغذیه برابر یک ولت و توان مصرفی استاتیک گیت مورد نظر ۲۰۰ میکرووات باشد. مقدار ظرفیت خازنی معادل درگروه خروجی وارونگر چند پیکوفاراد است؟
- (۱) ۵ (۲) ۹ (۳) ۱۰ (۴) ۱۱

دروس تخصصی ۴ (سیستم‌های عامل، شبکه‌های کامپیوتری و پایگاه داده‌ها):

- ۱۰۱- کدام سطح از RAID را Disk mirroring می‌گویند؟
- (۱) ۰ (۲) ۱ (۳) ۲ (۴) ۳
- ۱۰۲- کدام مورد سیستم عامل را مجبور می‌کند دستورات S_1, S_2, S_3, S_4 که به ترتیب در برداره‌های همروند P_1, P_2, P_3, P_4 قرار دارند به همان ترتیب S_1, S_2, S_3, S_4 اجرا کند؟ (مقدار اولیه سمافورها $a = b = c = 0$)

	P_1	P_2	P_3	P_4	
(۱)	S_1 Signal(a)	Wait(a) S_2 Signal(b)	Wait(b) S_3 Signal(c)	Wait(c) S_4	
(۲)	S_1 Signal(a) Signal(b)	Wait(b) S_2 Signal(a)	Wait(a) S_3 Signal(b)	Wait(a) Wait(b) S_4	
(۳)	S_1 Signal(a)	Wait(a) S_2 Signal(a)	Wait(a) Wait(a) S_3 Signal(a) Signal(a) Signal(a)	Wait(a) Wait(a) Wait(a) S_4 Signal(a) Signal(a) Signal(a) Signal(a)	
(۴)	S_1 Wait(a) Signal(b) Signal(c)	Wait(a) S_2 Signal(b) Signal(c)	Wait(a) Signal(b) S_3 Signal(c)	Wait(a) Signal(b) Signal(c) S_4	

- ۱۰۳- فرض کنید که طول آدرس مجازی ۴۷ بیت و اندازه صفحه ۱۶ kB و هر مدخل از جدول صفحه ۸ بایت باشد. اگر بخواهیم هر جدول صفحه تنها در یک صفحه ذخیره شود، از جدول صفحه چند سطحی استفاده شود؟
- (۱) ۲ (۲) ۳ (۳) ۴ (۴) ۵

۱۰۴ الگوریتم زیر برای حل مسئله ناهمبندی بحرانی (Critical-Problem) را در نظر بگیرید. در این الگوریتم، در حالتی که تنها دو پردازنده P0 و P1 وجود داشته باشد، متغیرهای flag و turn بین این دو پردازنده مشترک هستند:

`boolean flag [۲]; /* initially false */`

`int turn;`

با فرض اینکه ساختار پردازنده P_i ($i = 0 \text{ OR } 1$) به صورت زیر باشد، کدام گزینه صحیح است؟

```
do {
    flag[i] = true;
    while (flag[j]) {
        if (turn == j) {
            flag[i] = false;
            while (turn == j)
                /* do nothing */
            flag[i] = true;
        }
        /* critical section */
        turn = j;
        flag[i] = false;
        /* remainder section */
    } while (true);
```

- (۱) شرط پیشرفت ممکن است نقض شود.
- (۲) شرط انتظار محدود ممکن است نقض شود.
- (۳) شرط انحصار متقابل ممکن است نقض شود.
- (۴) هر سه شرط انحصار متقابل، انتظار محدود و پیشرفت همواره تضمین می‌شود.

۱۰۵ یک کامپیوتر دارای m چاپگر از یک نوع است. این چاپگرها به وسیله ۳ پردازنده A و B و C استفاده می‌شوند که در زمان بیشترین نیاز (حداکثر تقاضا) به ترتیب به ۳ و ۴ و ۶ چاپگر نیاز دارند. کمترین مقدار m که برای آن هیچ وقت در این کامپیوتر بن‌بست پیش نیاید چند است؟

- (۱) ۱۰
- (۲) ۱۱
- (۳) ۱۲
- (۴) ۱۳

۱۰۶ دو پردازنده متناوب با مشخصات زیر مفروض است. کدام گزینه بزرگترین مقدار x را برای پردازنده ۲ نشان می‌دهد به نحوی که زمانبندی قبضه‌ای (نرخ یکنواخت) Rate Monotonic امکان پذیر باشد؟

	Period	Cpu Time
P_1	۵۰	۲۵
P_2	۸۰	x

- (۱) ۲۰
- (۲) ۲۵
- (۳) ۳۰
- (۴) ۳۵

۱۰۷ در یک الگوریتم برنامه‌ریزی اولویت‌دار که پنج پردازنده و اولویت‌های آن‌ها به صورت زیر است، وجود دارد. میانگین زمان انتظار چند میلی‌ثانیه است؟

پردازنده	زمان	اولویت
P_1	۱۰ms	۳
P_2	۱ms	۱
P_3	۲ms	۴
P_4	۱ms	۵
P_5	۵ms	۲

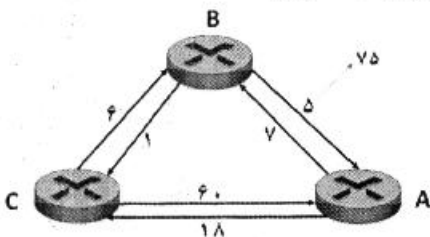
فرض کنید که هر چه مقدار اولویت کمتر باشد، اولویت پردازنده بیشتر است.

یعنی پردازنده P_4 دارای کمترین اولویت و پردازنده P_1 دارای بیشترین اولویت است.

- (۱) ۷ms
- (۲) ۸ms
- (۳) ۸٫۲ms
- (۴) ۷٫۷۵ms

۱۰۸- شبکه‌ای شامل سه مسیریاب مطابق با شکل زیر مفروض است. مسیریاب‌ها از روش بردار فاصله (distance vector) برای مسیریابی استفاده می‌کنند. هزینه هر لینک کنار آن نوشته شده است.

فرض کنید مسیریاب‌ها پس از فعال شدن، به محاسبه و تبادل جداول مسیریابی پرداخته و جداول خود را نهایی کرده‌اند. حال هزینه لینک از B به A از مقدار ۵ به ۷۵ تغییر می‌کند و در نتیجه مسیریاب B جدول خود را بروزرسانی کرده و نتیجه را به مسیریاب C اطلاع می‌دهد. مسیریاب C با دریافت جدول A اقدام به بروزرسانی جدول خود کرده و در صورت نیاز B را از نتیجه مطلع می‌کند. این عملیات تا رسیدن به جداول نهایی ادامه می‌یابد.

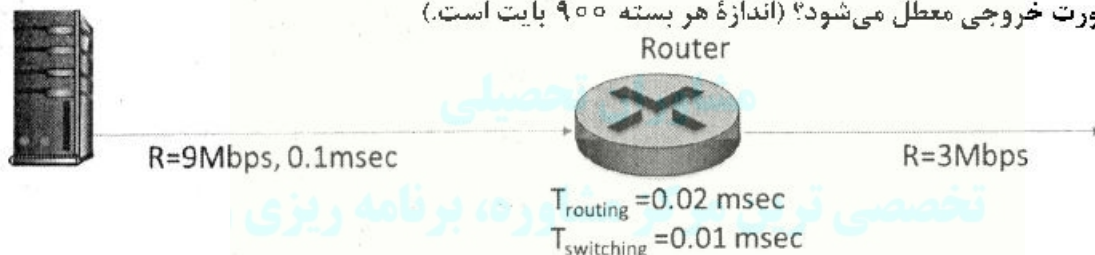


مسیریاب B پس از چند بار بروزرسانی، جدول خود را نهایی می‌کند؟

- (۱) شش بار
- (۲) هشت بار
- (۳) نه بار
- (۴) یازده بار

۱۰۹- کامپیوتری مطابق با (شکل یک) اقدام به ارسال ۹ بسته می‌کند. شکل دو فاصله زمانی بین دو بسته متوالی را هنگام ارسال نشان می‌دهد. پهنای باند ارسال کامپیوتر ۹ مگابیت در ثانیه است. هر بسته پس از ۱ میلی‌ثانیه به مسیریاب می‌رسد. مسیریاب ۲/۵ میلی‌ثانیه برای یافتن پورت خروجی هر بسته صرف می‌کند و سپس در مدت ۱/۵ میلی‌ثانیه بسته را به بافر پورت خروجی منتقل می‌کند. مسیریاب بسته‌ها را به ترتیب ورود به بافر خروجی ارسال می‌کند. پهنای باند ارسال مسیریاب ۳ مگابیت در ثانیه است.

فاصله زمانی بین بسته‌های P۹ و P۸ هنگام خروج از مسیریاب چند میلی‌ثانیه است؟ بسته P۸ چند میلی‌ثانیه در صف پورت خروجی معطل می‌شود؟ (اندازه هر بسته ۹۰۰ بایت است.)



(شکل-یک)

moshaveranetahsili.ir



(شکل-دو)

- (۱) ۱/۶ میلی‌ثانیه بین P۸ و P۹ فاصله است. P۸ در صف ۴/۸ میلی‌ثانیه معطل می‌شود.
- (۲) ۱/۶۳ میلی‌ثانیه بین P۸ و P۹ فاصله است. P۸ در صف ۳/۲ میلی‌ثانیه معطل می‌شود.
- (۳) ۱/۷۳ میلی‌ثانیه بین P۸ و P۹ فاصله است. P۸ در صف ۴/۹۳ میلی‌ثانیه معطل می‌شود.
- (۴) ۲/۴ میلی‌ثانیه بین P۸ و P۹ فاصله است. P۸ در صف ۴/۲۳ میلی‌ثانیه معطل می‌شود.

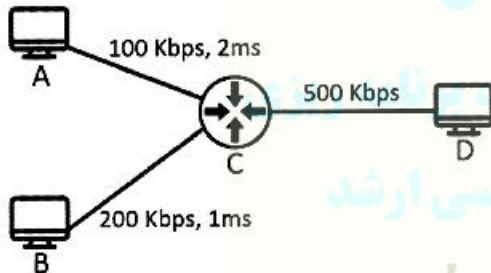
۱۱۰ در شبکه‌ای مبتنی بر پروتکل CSMA/CD کدام گزینه در مورد زمان انتقال فریم T_{trans} و زمان انتشار فریم T_{prop} صحیح است؟

- (۱) باید $T_{trans} > T_{prop}$ چرا که حداکثر تعداد کاربران در شبکه‌های مبتنی بر CSMA/CD محدود است.
- (۲) باید $T_{trans} > T_{prop}$ چرا که فرستنده باید قبل از اتمام ارسال فریم کنونی مطمئن شود که آیا فریم دچار برخورد شده است یا خیر.
- (۳) باید $T_{trans} > 2T_{prop}$ چرا که حداکثر تعداد کاربران در شبکه‌های مبتنی بر CSMA/CD محدود است.
- (۴) باید $T_{trans} > 2T_{prop}$ چرا که فرستنده باید قبل از اتمام ارسال فریم کنونی مطمئن شود که آیا فریم دچار برخورد شده است یا خیر.

۱۱۱- فرض کنید سه سویچ VLAN در اختیار داریم. سویچ اول ۱۲ پورت و دو سویچ دیگر هر یک ۱۶ پورت دارند. سویچ‌ها را با پروتکل ترانکینگ بهم مرتبط می‌کنیم و دو VLAN تشکیل می‌دهیم. حداکثر و حداقل تعداد پورت‌های این دو VLAN کدام است؟

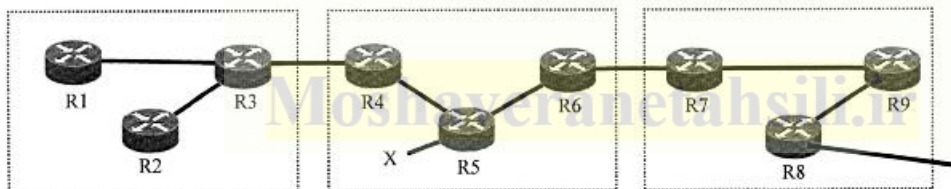
- (۱) حداکثر ۱۶ و حداقل ۱۲
- (۲) حداکثر ۳۲ و حداقل ۱۲
- (۳) حداکثر ۳۹ و حداقل ۲
- (۴) حداکثر ۴۲ و حداقل ۲

۱۱۲ شبکه شکل زیر را در نظر بگیرید که در آن هاست‌های A و B از طریق مسیریاب C به هاست D متصل هستند. فرض کنید در زمان صفر هاست A شروع به ارسال یک بسته ۶۰۰ بیتی به D می‌کند. همچنین فرض کنید در زمان $T > 0$ هاست B شروع به ارسال یک بسته ۱۰۰۰ بیتی به D می‌کند. زمان رسیدن یک بسته به D برابر زمانی است که آخرین بیت آن به D می‌رسد. تأخیر انتشار و ارسال لینک‌ها بر روی آن‌ها نوشته شده است. از تأخیر انتشار لینک بین C و D صرف‌نظر شود. بسته‌ها به صورت Store-and-forward ارسال می‌شوند. آیا امکان دارد در سناریوی تفاضل زمان رسیدن بسته‌های A و B به D (برحسب میلی‌ثانیه) شروع به افزایش خطی کند و اگر امکان دارد در چه زمانی این اتفاق رخ خواهد داد؟



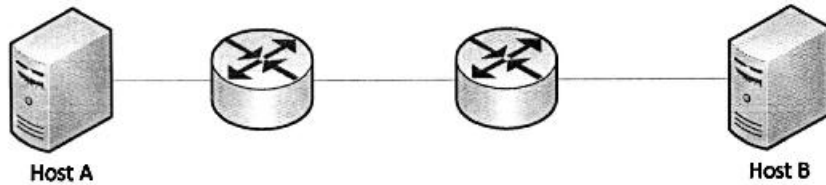
- (۱) ۲ میلی‌ثانیه
- (۲) ۲٫۲ میلی‌ثانیه
- (۳) ۳٫۲ میلی‌ثانیه
- (۴) امکان ندارد.

۱۱۳ شبکه زیر را که از سه سیستم خودگردان (AS) autonomous system تشکیل شده است در نظر بگیرید. AS۱ و AS۲ برای مسیریابی داخلی از پروتکل OSPF و AS۳ برای مسیریابی داخلی از پروتکل RIP استفاده می‌کند. اطلاعات مسیریابی از طریق پروتکل‌های eBGP و iBGP بین AS‌ها منتشر می‌شود. اطلاعات مربوط به پیشوند X (متصل به مسیریاب R۵) از طریق کدام پروتکل‌ها به مسیریاب‌های R۲، R۷ و R۸ می‌رسد؟



- (۱) RIP و eBGP، OSPF
- (۲) iBGP، eBGP و iBGP
- (۳) eBGP، eBGP و iBGP
- (۴) iBGP، eBGP و iBGP

۱۱۴ شبکه زیر که از دو میزبان و دو سوئیچ Store-and-Forward ساخته شده است را در نظر بگیرید. فرض کنید سرعت ارسال تمام لینک‌ها برابر ۱/۵ مگابیت بر ثانیه است و سایر تأخیرهای انتقال بسته در شبکه قابل صرف‌نظر هستند. فرض کنید می‌خواهیم یک فایل به اندازه $7/5 \times 10^6$ را در قالب بسته‌های ۱۵۰۰ بیتی ارسال کنیم. حداقل زمان ارسال چند ثانیه خواهد بود؟



- (۱) ۵
- (۲) ۵,۰۰۰۲
- (۳) ۱۰,۰۰۰۴
- (۴) ۱۵

۱۱۵- هم‌ارزی‌های جبر رابطه‌ای زیر را در نظر بگیرید. این هم‌ارزی‌ها ممکن است همواره درست باشند، در بعضی شرایط درست باشند، یا همواره نادرست باشند. در این عبارت‌ها، R یک رابطه (Relation)، ci ها شرط‌هایی بر روی R و aiها زیرمجموعه‌هایی از صفت‌های R هستند.

کدام هم‌ارزی همواره درست است؟

- (۱) $\sigma_{c1}(\sigma_{c2}(R)) \equiv \sigma_{c2}(\sigma_{c1}(R))$
- (۲) $\pi_{a1}(\pi_{a2}(R)) \equiv \pi_{a2}(\pi_{a1}(R))$
- (۳) $\pi_{a1}(\sigma_{c1}(R)) \equiv \sigma_{c1}(\pi_{a1}(R))$
- (۴) $\pi_{a1}(\pi_{a2}(R)) \equiv \pi_{a1}(R)$

۱۱۶- رابطه $R(A, B, C, D)$ و این وابستگی‌های تابعی را در نظر بگیرید: $B \rightarrow C; CD \rightarrow B$. کدام گزینه در مورد رابطه R درست است؟

- (۱) R در 2NF نیست.
- (۲) R در BCNF است.
- (۳) R در 2NF است، اما در 3NF نیست.
- (۴) R در 3NF است، اما در BCNF نیست.

۱۱۷- رابطه $R(A, B, C, D, E)$ و این وابستگی‌های تابعی را در نظر بگیرید: $AB \rightarrow CDE; E \rightarrow BC$. تعداد کلیدهای کاندید R چند تاست؟

- (۱) ۱
- (۲) ۲
- (۳) ۳
- (۴) ۴

۱۱۸- این شمای پایگاه داده را در نظر بگیرید:

Student(sid, sname, age)

Course(cid, cname, credits)

Takes(sid, cid, grade)

می‌خواهیم sid دانشجویانی را پیدا کنیم که هم در درس Database و هم در درس Math ثبت نام کرده‌اند. کدام پرس و جوی SQL برای این منظور مناسب است؟

I. SELECT T1.sid

FROM Course C1, Takes T1

WHERE C1.cid = T1.cid AND C1.cname = 'Database'

INTERSECT

SELECT T2.sid

FROM Course C2, Takes T2

WHERE C2.cid = T2.cid AND C2.cname = 'Math'

II. SELECT T1.sid

FROM Course C1, Takes T1

WHERE C1.cid = T1.cid AND C1.cname = 'Database'

AND T1.sid IN (SELECT T2.sid

FROM Course C2, Takes T2

WHERE C2.cid = T2.cid AND C2.cname = 'Math')

III. SELECT T1.sid

FROM Course C1, Takes T1

WHERE C1.cid = T1.cid AND C1.cname = 'Database'

AND EXISTS (SELECT *

FROM Course C2, Takes T2

WHERE C2.cid = T2.cid AND C2.cname = 'Math' AND C2.sid = C1.sid)

(۱) فقط I

(۲) فقط II

(۳) فقط I و II

(۴) I و II و III



۱۱۹- شمای رابطه‌ای زیر، پایگاه داده موسسات آموزش هنر است.

در این پایگاه داده اسامی هنرجویانی که در هر موسسه عضو هستند ذخیره شده است. جدول هنرهای مورد علاقه نام رشته‌های هنری مورد علاقه هر هنرجو را نشان می‌دهد. جدول دوره‌های هنری نشان می‌دهد در هر موسسه چه رشته‌های هنری‌ای ارائه می‌شود.

Student(SID , Name)

Institute(IID , IName , IAddress)

Membership(SID, IID)

Faviorate Field(SID , Field)

Offered Field (IID , Field)

کدام جبر رابطه‌ای لیست تمام هنرجوها را می‌دهد که فقط در موسسه‌هایی عضوند که هیچ رشته هنری خارج از علاقه‌مندی آن‌ها را ارائه نمی‌دهد؟

$$(1) \Pi_{SID} (Faviorate Field \bowtie Membership \bowtie offered Field)$$

$$(2) \Pi_{SID} (Membership) - \Pi_{SID} (Faviorate Field \bowtie Membership \bowtie offered Field)$$

$$(3) \Pi_{SID} (Membership) - \Pi_{SID} (Membership - \Pi_{SID, IID} (Faviorate Field \bowtie offered Field))$$

$$(4) \Pi_{SID} (Membership) - \Pi_{SID} [\Pi_{SID, Field} (Membership \bowtie offered Field) - Faviorate Field]$$

۱۲۰- حاصل تجزیه رابطه زیر بر اساس 3NF چند رابطه خواهد بود؟

R = (A, B, C, D, E)

A → B, C

B, C → A, D

D → E

(۴) رابطه ۴

(۳) رابطه ۳

(۲) رابطه ۲

(۱) رابطه ۱

مشاوران تحصیلی

تخصصی ترین مرکز مشاوره، برنامه ریزی

تضمین قبولی کارشناسی ارشد

moshaveranetahsili.ir



Moshaveranetahsili.ir

Moshaveranetahsili.ir



مشاوران تحصیلی

تخصصی ترین مرکز مشاوره، برنامه ریزی

تضمین قبولی کارشناسی ارشد

moshaveranetahsili.ir



Moshaveranetahsili.ir

Moshaveranetahsili.ir



مشاوران تحصیلی

تخصصی ترین مرکز مشاوره، برنامه ریزی

تضمین قبولی کارشناسی ارشد

moshaveranetahsili.ir



Moshaveranetahsili.ir

Moshaveranetahsili.ir



مشاوران تحصیلی

تخصصی ترین مرکز مشاوره، برنامه ریزی

تضمین قبولی کارشناسی ارشد

moshaveranetahsili.ir



Moshaveranetahsili.ir