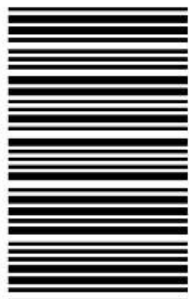


کد کنترل

459

F



459F

عصر پنجشنبه

۱۳۹۹/۵/۲



«اگر دانشگاه اصلاح شود مملکت اصلاح می‌شود.»  
امام خمینی (ره)

جمهوری اسلامی ایران  
وزارت علوم، تحقیقات و فناوری  
سازمان سنجش آموزش کشور

آزمون ورودی دوره‌های کارشناسی ارشد ناپیوسته داخل - سال ۱۳۹۹

نانو فناوری - نانو مواد - کد (۱۲۷۳)

مدت پاسخ‌گویی: ۲۱۰ دقیقه

تعداد سؤال: ۱۶۵

عنوان مواد امتحانی، تعداد و شماره سؤالات

ردیف	عنوان مواد امتحانی	تعداد سؤال	از شماره	تا شماره
۱ ۲ ۳ ۴ ۵	دروس اختصاصی زبان عمومی و تخصصی (انگلیسی) ریاضیات مهندسی شیمی کاربردی فیزیک جدید شیمی فیزیک و ترمودینامیک	۳۰	۱	۳۰
		۱۵	۳۱	۴۵
		۲۰	۴۶	۶۵
		۲۰	۶۶	۸۵
		۲۰	۸۶	۱۰۵
۶ ۷ ۸	انتخاب یک درس از سه درس خواص فیزیکی و مکانیکی مواد پدیده‌های انتقال (انتقال جرم، مکانیک سیالات، انتقال حرارت) الکترونیک (۲و۱) و الکترومغناطیس مهندسی	۲۰	۱۰۶	۱۲۵
		۲۰	۱۲۶	۱۴۵
		۲۰	۱۴۶	۱۶۵

این آزمون نمره منفی دارد.

استفاده از ماشین حساب مجاز نیست.

حق چاپ، تکثیر و انتشار سؤالات به هر روش (الکترونیکی و...) پس از برگزاری آزمون، برای تمامی اشخاص حقیقی و حقوقی تنها با مجوز این سازمان مجاز می‌باشد و با متخلفین برابر مقررات رفتار می‌شود.

۱۳۹۹

\* داوطلب گرامی، عدم درج مشخصات و امضا در مندرجات جدول ذیل، به منزله عدم حضور شما در جلسه آزمون است.

اینجانب ..... با شماره داوطلبی ..... با آگاهی کامل، یکسان بودن شماره صندلی خود را با شماره داوطلبی مندرج در بالای کارت ورود به جلسه، بالای پاسخنامه و دفترچه سؤالات، نوع و کد کنترل درج شده بر روی دفترچه سؤالات و پائین پاسخنامه ام را تأیید می‌نمایم.

امضا:

زبان عمومی و تخصصی (انگلیسی):

### PART A: Vocabulary

**Directions:** Choose the word or the phrase (1), (2), (3), or (4) that best completes each sentence. Then mark the answer on your answer sheet.

- 1- It had not rained on the prairie for several months. Because of the drought, the climate had become very -----.  
1) unsteady                      2) rigid                      3) intense                      4) arid
- 2- Deserted for six months, the property began to look more like a jungle and less like a residence—weed grew ----- in the front yard.  
1) unchecked                      2) unjustified                      3) complicated                      4) scanty
- 3- Can you please ----- this last part of the lesson for me; I'm not sure I understood.  
1) recapitulate                      2) identify                      3) postulate                      4) recount
- 4- Gerry's dissatisfaction with our work was ----- in his expression, although he never criticized us directly.  
1) vulnerable                      2) bright                      3) implicit                      4) humble
- 5- The world's coal, oil and gas ----- are finite; one day they will run out, so think now about what you can do to consume less.  
1) appliances                      2) deposits                      3) relics                      4) amenities
- 6- You are recommended to use mnemonics to help you ----- important items of information.  
1) enumerate                      2) expose                      3) recall                      4) withdraw
- 7- The lifespan of a mayfly is -----, lasting from a few hours to a couple of days.  
1) imprecise                      2) ephemeral                      3) superficial                      4) swift
- 8- His words to the press were deliberately -----; he didn't deny the reports but neither did he confirm them.  
1) mutual                      2) essential                      3) dogmatic                      4) equivocal
- 9- Hundreds of people had come to see a popular satire, but during the performance a fire started in the theater, and the audience and actors had to ----- the building immediately.  
1) expel                      2) evacuate                      3) disperse                      4) detach
- 10- Computers have helped solve some of the mathematical ----- which have puzzled man for many centuries.  
1) conundrums                      2) caprices                      3) artifacts                      4) chronologies

**PART B: Cloze Test**

**Directions:** Read the following passage and decide which choice (1), (2), (3), or (4) best fits each space. Then mark the answer on your answer sheet.

When Newton arrived at Cambridge, the Scientific Revolution of the 17th century was already in full force. The heliocentric view of the universe—theorized by astronomers Nicolaus Copernicus and Johannes Kepler, (11) ----- refined by Galileo—was well known in most European academic circles.

Philosopher René Descartes had begun to formulate a new concept of nature (12) ----- an intricate, impersonal and inert machine. (13) -----, like most universities in Europe, Cambridge was steeped (14) ----- Aristotelian philosophy and a view of nature resting on a geocentric view of the universe, (15) ----- with nature in qualitative rather than quantitative terms.

- |     |                  |              |               |                    |
|-----|------------------|--------------|---------------|--------------------|
| 11- | 1) and was later | 2) and later | 3) later was  | 4) which was later |
| 12- | 1) like          | 2) such as   | 3) as         | 4) the same        |
| 13- | 1) Although      | 2) As though | 3) Because    | 4) Yet             |
| 14- | 1) in            | 2) for       | 3) with       | 4) of              |
| 15- | 1) dealt         | 2) dealing   | 3) by dealing | 4) and was dealt   |

**PART C: Reading Comprehension**

**Directions:** Read the following three passages and answer the questions by choosing the best choice (1), (2), (3), or (4). Then mark the correct choice on your answer sheet.

**PASSAGE 1:**

The robust crystal structures of metals can be mimicked in 3D-printed lattices for added strength, says a team of researchers. Through imitating the hardening mechanism of crystals, scientists have found they can significantly boost the strength and reduce the weight of lattice materials. This advance could accelerate the use of 3D-printed metal parts in engineering projects.

The fabrication method produces lattices in grid-like formations. Researchers believe that varying the patterns in the lattice micro-scale structures and building the materials in layers could substantially add to its durability. This would help reduce the frailties found in current 2D lattices, which tend to follow the same structural pattern and are prone to fracturing. Due to the atomic alignment of the 3D-printed lattices resembling that of crystalline materials, any crack should either stop or ease when coming into contact with a ‘crystal’ that follows a different structural pattern.

When loaded with weight, the new material — dubbed “meta-crystal” — is far stronger and more damage-tolerant than conventional lattice materials. Scientists also found that the strength of the meta-crystals can be increased by reducing the size of each grain-like lattice region within the structure, therefore, these engineering materials have the potential to benefit any number of industries, including construction, automotive, aviation and medical devices.

The technique, developed for 3D printing, allows lattice materials to be designed with specific structural properties on an atomic level to meet the exact demands of their intended application. 3D-printed lattices are designed to reinforce material strength during fabrication, removing any potentially defective areas. This technique can ensure that any structural weaknesses are lessened so that weight is distributed more evenly, prolonging the material's life. The long-term plan is to be able to achieve this on an industrial scale.

So far, the majority of data from 3D printed lattices has been gathered using polymers, as they are cheaper to produce and experiment with. Yet it is applying this approach to metals that offers the greatest industrial potential. The team is investigating different combinations of materials to assess their structural performance. Provided funding is secured to continue the research, the 3D-printed lattice method will be applied to metal alloys. This would not only make the materials tougher, but also increase their resilience to high temperatures.

It's very exciting if we can combine this approach with shape memory alloys, because we can not only make them robust, but also make them smart. It can open up a wide space of opportunities to design smarter and higher performing metals. The benefit of metals is not only about strength, but also resilience to damage and they can also bear the load of very high temperatures.

**16- What is the advantage of metal alloys over traditional metals?**

- 1) Unlike metals, alloys are resilient to damage.
- 2) Alloys are smart in the sense that they are shape memory.
- 3) Alloys can operate at higher temperatures while retaining toughness.
- 4) By using alloys, a wide space will open to design smarter and higher performing metals.

**17- Why are researchers currently experimenting with polymers?**

- 1) Because they offer greater opportunity in industry.
- 2) Because this method has not been adapted by industry yet.
- 3) Because polymers are economically more feasible than metals on an industrial scale.
- 4) Because polymers are less costly to work with than metals.

**18- How can the strength of the printed metal be enhanced?**

- 1) By printing structures with smaller grain sizes.
- 2) By dubbing the new material "meta-crystal".
- 3) By tolerating the damage to the new material.
- 4) By reducing the size of the lattice.

**19- How does the new 3D printed structure stop the propagation of cracks?**

- 1) The new printing technique allows frailties in the lattice.
- 2) A lattice layer with a different pattern can stop a crack.
- 3) Cracks cannot be initiated in this structure.
- 4) Cracks cannot proceed along the layers.

**20- How is the toughness of printed metals increased?**

- 1) By printing lattice layers with different structures.
- 2) By fabricating lattices in grid-like formations.
- 3) By following similar structural patterns.
- 4) By building the materials in layers.

**PASSAGE 2:**

A light-as-air ceramic aerogel has been created that can withstand temperatures up to 1,400°C without losing its mechanical strength. The superinsulating material, made of boron nitride, is only 1% as dense as water, but can protect spacecraft equipment from extreme temperatures. Due to the high crystallinity, mechanically negative Poisson's ratio and thermally negative thermal expansion, this aerogels could efficiently dissipate the thermal stress under thermal shocks or high temperature condition.

A research team designed and synthesised the ceramic aerogel with nanolayered double-pane walls with a negative Poisson's ratio – demonstrating compressive deformation – and a negative linear thermal expansion – contracting rather than expanding when heated. The material showed near-zero strength loss after sharp thermal shocks or intense thermal stress. The aerogel's hyperbolic design gives it unusual properties as it becomes thinner when squeezed and contracts when heated. In addition, where most ceramic aerogels can only recover compressions of up to 80%, its superelasticity means that after being compressed it recovers up to 95% of its volume.

Despite being more than 99% air, aerogels are solid with very strong structures for their weight. Ceramic aerogels have been popular for insulating industrial equipment since the 1990s and have been used by NASA for insulating scientific equipment for Mars rover missions.

Using a hexagonal boron nitride, a resistant chemical that does not oxidise at high temperatures, the team created a template with hyperbolic surfaces – saddle shapes with negative curvature. This template is then coated with borazine – a boron-nitrogen version of benzene. The borazine polymerises into polyborazylene when heated up to 1,500°C, which then loses its hydrogen atoms to form crystalline boron nitride. Finally, the template is oxidised and burned away.

After this process, a double-pane boron nitride structure is created, which suppresses air condition and convection, making it superinsulating. The researchers tested the material's mechanical and thermal capabilities by heating the aerogel at 900°C then rapidly cool it to -198°C repeatedly, at a rate of 275°C per second. They demonstrated its properties using a flower, placing it on top of a 2cm-thick aerogel sitting on top of a 500°C flame for 15 minutes. The result was that the flower showed only slight withering.

Another test, evaluating the effect of long-term temperature stress, exposed the material to temperatures approaching 1,500°C in a vacuum. The aerogel remained largely unchanged with near-zero strength loss throughout the vigorous tests.

The aerogel has been tested and proven functional under extreme temperatures – the research team is looking to how its properties can be used. 'Due to the low thermal conductivity both in vacuum and air, and high thermal stability, our ceramic aerogels exhibit thermal superinsulation to keep the spacecraft cool.'

**21- Where is the boron nitride aerogel most likely to be used?**

- |                   |                 |
|-------------------|-----------------|
| 1) Vacuum devices | 2) Flower vases |
| 3) Spacecrafts    | 4) Templates    |

- 22- **What happens when borazine is heated to 1500°C ?**  
 1) It crystallizes.  
 2) It polymerises.  
 3) It oxidizes and burns away.  
 4) It forms boron nitride and subsequently loses hydrogen atoms.
- 23- **What is the main characteristic of a superinsulating material?**  
 1) A double pane boron nitride structure  
 2) Ability to retain strength at high temperatures  
 3) Inhibition of heat transfer under very harsh conditions  
 4) Ability to withstand severe thermal shocks without becoming brittle
- 24- **The initial volume of an object made from traditional aerogels is 5 m<sup>3</sup>. It is compressed by a heavy load. What is the volume of the part after the load has been removed?**  
 1) 1 m<sup>3</sup>                      2) 4 m<sup>3</sup>                      3) 2,5 m<sup>3</sup>                      4) 4,75 m<sup>3</sup>
- 25- **How do high crystallinity, negative Poisson's ratio and negative expansion coefficient help thermal stability of this product?**  
 1) These features allow the ceramic to dissipate heat efficiently.  
 2) Materials made from this ceramic can be cooled down by 1000 °C.  
 3) These properties result in thermal shock or high temperatures being attained.  
 4) These properties help the ceramic to distribute thermal stress in the bulk of a part.

### PASSAGE 3:

Bacterial cellulose (BC) discovered by A J Brown in 1886 is somewhat similar to plant cellulose. It has the same molecular formula, but is chemically more pure as it is free from other plant polysaccharides such as hemicellulose and lignin. It has a higher tensile strength, can be grown into almost any shape and has a superior water retention capacity and a considerably finer architecture.

Properties such as these have made bacterial cellulose an ideal ingredient in foods such as nata de coco, a sweet jelly with increased fibrousness, chewiness and texture through the addition of bacterial cellulose. It has also been used as a thickener and stabiliser to help retain the viscosity of softer foods.

More recently, the properties of BC have gained the attention of materials scientists in the biomedical sectors where it is used as a wound dressing material, in the pulp and paper industries where it is used as an ultra-stiff paper base, and in coatings industries, where it can be used to stabilise coating suspensions. BC is sourced naturally in South East Asia from microorganisms such as *Acetobacter xylinum*, to cater for the multifaceted Asian food industries. It is a renewable, sustainable and biodegradable nanofibril, and has a nanoscale filamentous structure with very high crystallinity and outstanding properties of stiffness ranging on average between 78-143GPa. Separating the nanofibrils of BC is far simpler and less process-intensive than it is for plant-derived cellulose nanofibrils, making it an attractive 'green nanomaterial' with considerable potential in biomaterials applications.

The bulk matter of BC is effectively networked by  $\beta$  conform hydrogen bonds, which help align cellulose molecules into its tight crystalline structure. The  $\beta$ -conformation, as it is known, is a straight-backed molecular chain. The straightness of the molecules allows them to pack densely together, which can improve molecule to

molecule interactions through hydrogen bonding. Therefore, BC surfaces are dense with hydrogen bonding sites, however the stiffness of the individual nanofibrils makes it difficult for interfibrillar alignment. BC nanofibrils can therefore create a weak network continuum when packed together with other BC nanofibrils, however, the true mechanical potential of BC is never reached in this way. This is reflected in the stiffness of BC sheets, which is reported to be between 2-15GPa, and is therefore a factor of 10 lower than the nanofibrillar stiffness. How can we scale up BC in a way that reduces losses from its nanofibrillar stiffness? Natural bio-adhesives may have some of the answers.

- 26- **Why is the stiffness of BC sheets lower than BC chains?**  
 1) Because of  $\beta$ -conformation .  
 2) Because molecules are densely packed.  
 3) Because sheets are less stiff by a factor of 10.  
 4) Because interactions between molecular chains are weak.
- 27- **Which geometrical feature can enhance interactions between molecules in a BC chain?**  
 1) Closely packed linear structure                      2) Hydrogen bonding  
 3) Straightness    4) Networking
- 28- **Which of the following better resembles the microstructure of BC?**  
 1) A bowl of spaghetti    2) A bowl of soup  
 3) A bowl of beans    4) A bowl of lentils
- 29- **Why is BC used in paper industry?**  
 1) To make harder papers  
 2) To make pulp and papers  
 3) To make tougher papers  
 4) To make paper that can be used as wound dressing
- 30- **What is lignin?**  
 1) A free chemical    2) A polysaccharide  
 3) A plant cellulose    4) A pure chemical

ریاضیات مهندسی:

۳۱- اگر تبدیل فوریه سینوسی تابع  $f(t)$  در بازه  $[0, \infty)$ ،  $F_s\{f(t)\} = \frac{\omega - \sin \omega}{\omega^2}$  باشد، تبدیل فوریه کسینوسی

$tf(t)$  به ازای  $\omega = 2\pi$  کدام است؟

$$-\frac{1}{2\pi^2} \quad (1)$$

$$-\frac{2}{\pi^2} \quad (2)$$

$$-\frac{2}{\pi} \quad (3)$$

$$-\frac{1}{2\pi} \quad (4)$$

۳۲- فرض کنید  $f(x) = \begin{cases} 1 & |x| < a \\ 0 & |x| > a \end{cases}$ ،  $a > 0$ ، مفروض است. اگر  $F(w) = \int_{-\infty}^{\infty} e^{-iwx} f(x) dx$  تبدیل فوری پیوسته

تابع  $f$  و  $F(0) = \pi$  باشد، آنگاه  $F(1)$  کدام است؟

(۱)  $\pi$

(۲)  $2$

(۳)  $1$

(۴)  $\frac{1}{\pi}$

۳۳- اگر سری فوری تابع  $f(x) = \begin{cases} 2x+1 & 0 < x < \pi \\ 4-2x & \pi \leq x < 2\pi \end{cases}$  با دوره تناوب  $2\pi$ ، به صورت

$$\frac{1}{2}a_0 + \sum_{n=1}^{\infty} (a_n \cos(nx) + b_n \sin(nx))$$

حاصل  $\sum_{n=1}^{\infty} (-1)^{n+1} a_n$  کدام است؟

(۱)  $-\pi$

(۲)  $\pi$

(۳) صفر

(۴)  $2\pi$

۳۴- جواب عمومی معادله دیفرانسیل جزئی  $u_{xx} - 6u_{xy} + 9u_{yy} = 0$  کدام است؟

(۱)  $u(x, y) = F(y - 3x)$

(۲)  $u(x, y) = F(y) + G(x)$

(۳)  $u(x, y) = F(y + 3x) + G(y - 3x)$

(۴)  $u(x, y) = xF(y + 3x) + G(y + 3x)$

۳۵- فرض کنید  $u$  یک تابع هموار باشد. شکل جدید معادله دیفرانسیل جزئی  $u_{yy} = -9u_{xx}$  بعد از تغییر متغیر

$t = x - 3y$  و  $s = x + 3y$ ، کدام است؟

(۱)  $u_{ts} = 0$

(۲)  $u_{tt} = u_{ss}$

(۳)  $u_{tt} = -u_{ss}$

(۴)  $u_{tt} = -9u_{ss}$



۳۶- مسئله موج زیر را در نظر بگیرید:

$$\begin{cases} u_{tt} - 4u_{xx} = 0 & 0 < x < 1/5, t > 0 \\ u(x, 0) = x^2 - x & 0 \leq x \leq 1/5 \\ u_t(x, 0) = x & 0 \leq x \leq 1/5 \\ u_x(0, t) = u_x(1/5, t) = 0 & t \geq 0 \end{cases}$$

مقدار  $u(0/5, 0/75)$ ، کدام است؟

(۱)  $\frac{21}{8}$

(۲)  $\frac{3}{2}$

(۳)  $\frac{11}{8}$

(۴)  $\frac{9}{16}$

۳۷- فرم جواب مسئله زیر کدام است؟

$$\begin{cases} u_t - 4u_{xx} = x + t^2 & 0 < x < \pi, t > 0 \\ u(x, 0) = 2x & 0 \leq x \leq \pi \\ u(0, t) = 0 & t \geq 0 \\ u(\pi, t) = e^{-2t} \end{cases}$$

(۱)  $u(x, t) = \sum_{n=1}^{\infty} (a_n e^{-\gamma n^2 t} + A_n t^2 + D_n e^{-\gamma t}) \sin nx$

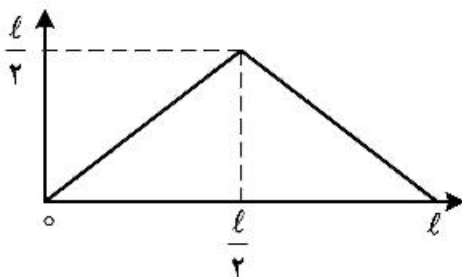
(۲)  $u(x, t) = \sum_{n=1}^{\infty} (a_n e^{-\gamma n^2 t} + A_n t^2 + D_n e^{-\gamma t}) \cos nx$

(۳)  $u(x, t) = \sum_{n=1}^{\infty} (a_n e^{-\gamma n^2 t} + A_n t^2 + B_n t + C_n + D_n e^{-\gamma t}) \sin nx$

(۴)  $u(x, t) = \sum_{n=1}^{\infty} (a_n e^{-\gamma n^2 t} + A_n t^2 + B_n t + C_n + D_n e^{-\gamma t}) \cos nx$

۳۸- در معادله انتقال حرارت  $u_t = c^2 u_{xx}$  حاکم بر یک میله دو سر عایق، اگر توزیع دمای اولیه به شکل زیر باشد،

میانگین دمای نهایی میله کدام است؟



(۱)  $\frac{l}{8}$

(۲)  $\frac{l}{4}$

(۳)  $\frac{l}{2}$

(۴)  $l$

۳۹- اگر جواب معادله  $\nabla^2 u = 0$ ،  $0 < r < 1$ ،  $0 < \theta < \frac{3\pi}{2}$  با شرایط کرانه‌ای  $u(r, 0) = 0$ ،  $u(r, \frac{3\pi}{2}) = 0$  و

$u(1, \theta) = \frac{1}{2} \sin 2\theta$  به صورت  $u(r, \theta) = \sum_{n=1}^{\infty} (A_n r^n + B_n r^{-n})(C_n \cos n\theta + D_n \sin n\theta)$  باشد، مقدار

$u(\frac{1}{2}, \frac{\pi}{4})$  کدام است؟

(۱)  $\frac{1}{2}$

(۲)  $\frac{1}{4}$

(۳)  $\frac{1}{8}$

(۴)  $\frac{1}{16}$

۴۰- اگر  $z_1$  و  $z_2$  جواب‌های معادله  $z^2 + z = i - 1$  باشند، حاصل  $|z_1 - z_2|$  کدام است؟

(۱)  $\sqrt{2}$

(۲)  $\sqrt{3}$

(۳)  $\sqrt{4}$

(۴)  $\sqrt{5}$

۴۱- اگر  $v$  مزدوج همساز  $u$  در ناحیه  $R$  باشد، آنگاه کدام مورد درست است؟

(۱)  $u$  یک مزدوج همساز  $v$  در  $R$  است.

(۲)  $-u$  یک مزدوج همساز  $v$  در  $R$  است.

(۳)  $iu$  یک مزدوج همساز  $v$  در  $R$  است.

(۴)  $-iu$  یک مزدوج همساز  $v$  در  $R$  است.

۴۲- تصویر ناحیه مشترک دایره  $|z+i|=1$  و  $|z+1|=1$ ، تحت نگاشت  $w = u + iv = \frac{i}{z}$ ، کدام است؟

(۱)  $v \leq -\frac{1}{2}$  و  $u \leq -\frac{1}{2}$

(۲)  $v \geq -\frac{1}{2}$  و  $u \leq -\frac{1}{2}$

(۳)  $v \leq -\frac{1}{2}$  و  $u \geq -\frac{1}{2}$

(۴)  $v \geq -\frac{1}{2}$  و  $u \geq -\frac{1}{2}$

۴۳- ضریب  $\frac{1}{z^3}$  در بسط لوران تابع  $f(z) = \frac{e^z}{z^2 - 1}$  حول نقطه  $z = 0$ ، در ناحیه  $|z| > 1$ ، کدام است؟

(۱)  $\sin 1$

(۲)  $\cos 1$

(۳)  $\cosh 1$

(۴)  $\sinh 1$

۴۴- مقدار انتگرال  $\oint_{|z|=1} \frac{e^z (2 \cos z + z^2 - 3)}{1 + z + z^2 + z^3 + z^4} dz$  کدام است؟

(۱) صفر

(۲)  $2\pi i$

(۳)  $-2\pi i$

(۴)  $2\pi i (2 \cos 1 - 2) e^{-1}$

۴۵- مقدار انتگرال  $\int_0^{2\pi} \frac{d\theta}{\sqrt{2 - \cos \theta}}$  کدام است؟

(۱)  $-\pi$

(۲)  $\pi$

(۳)  $\frac{\pi}{2}$

(۴)  $2\pi$

شیمی کاربردی:

۴۶- ارزش حرارتی کدام ترکیب در شرایط یکسان بیشتر است؟

(۱) آمونیاک (۲) بوتان (۳) متانول (۴) پنتان

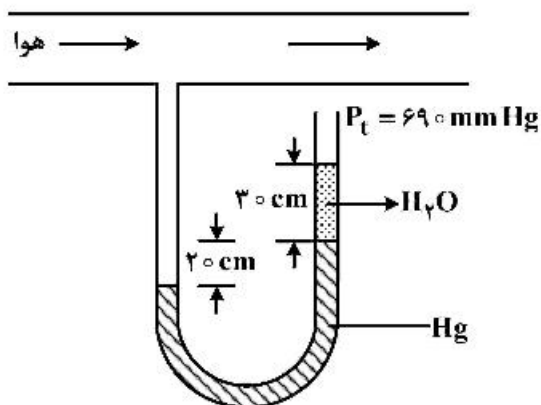
۴۷- با توجه به شکل داده شده فشار درون لوله هوا بر حسب atm به کدام جواب نزدیک تر است؟

(۱)  $1/07$

(۲)  $1/12$

(۳)  $1/20$

(۴)  $1/27$



۴۸- عدد رینولدز ( $Re$ ) درون یک لوله مدور که آب مایع از آن عبور می‌کند و سرعت خطی آب  $3 \frac{ft}{sec}$  و قطر لوله  $2in$  است، کدام مورد است؟

(۲)  $31742/5$

(۱)  $27342$

(۴)  $45750$

(۳)  $3744/05$

۴۹- یک مایع گرم از درون یک لوله کرووی عبور می‌کند. اگر بخواهیم اتلاف گرما ( $Q_H$ ) از دیواره لوله به خارج را در نظر گرفته و معادله برنولی را برای محاسبات انرژی به کار ببریم، کدام معادله صحیح است؟

$$\frac{P_1}{\rho_1} + z_1 + \frac{v_1^2}{2g} + Q_{H1} = \frac{P_2}{\rho_2} + z_2 + \frac{v_2^2}{2g} \quad (1)$$

$$\frac{P_1}{\rho_1} + z_1 + \frac{v_1^2}{2g} + Q_H^{\frac{1}{2}} = \frac{P_2}{\rho_2} + z_2 + \frac{v_2^2}{2g} \quad (2)$$

$$\frac{P_1}{\rho_1} + z_1 + \frac{v_1^2}{2g} = \frac{P_2}{\rho_2} + z_2 + \frac{v_2^2}{2g} + Q_H \quad (3)$$

$$\frac{P_1}{\rho_1} + z_1 + \frac{v_1^2}{2g} = \frac{P_2}{\rho_2} + z_2 + \frac{v_2^2}{2g} + Q_{H1}^{\frac{1}{2}} \quad (4)$$

۵۰- مهم‌ترین عواملی که روی ضریب اصطکاک در لوله‌های مدور اثر می‌گذارند، در کدام مورد اشاره شده است؟

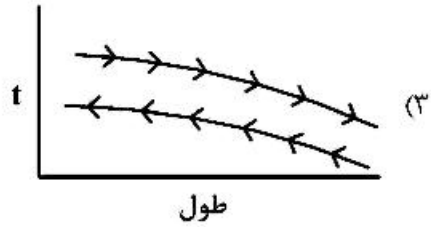
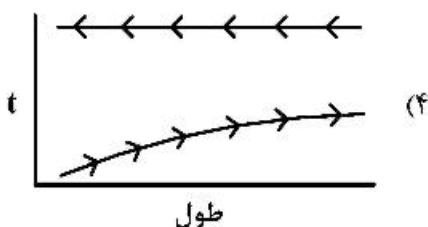
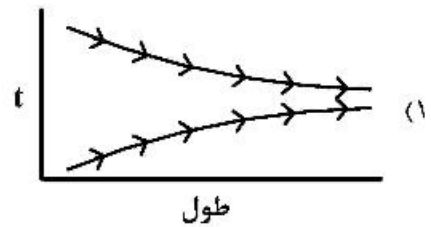
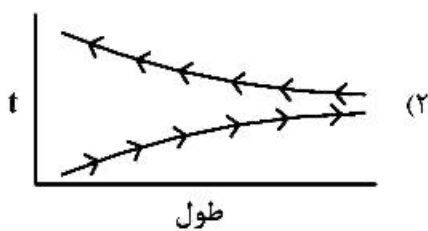
(۲) سرعت خطی و قطر لوله

(۱) زبری لوله و قطر لوله

(۴) عدد رینولدز ( $Re$ ) و زبری لوله

(۳) ویسکوزیته و دانسیته سیال

۵۱- در یک مبدل حرارتی دو لوله‌ای سیال‌های گرم و سرد به‌طور متقابل با یکدیگر حرکت می‌کنند و تغییر فازی صورت نمی‌گیرد. کدام شکل پروفایل درجه حرارت سیال سرد و گرم را به‌درستی نشان می‌دهد؟



۵۲- اگر هوای نیمه مرطوبی از یک لوله عبور کرده و در فشار ثابت گرم شود، کدام عبارت درست است؟

(۱) رطوبت نسبی (Relative Humidity) کاهش و حجم مخصوص آن افزایش می‌یابد.

(۲) رطوبت (Humidity) آن ثابت و رطوبت نسبی آن افزایش می‌یابد.

(۳) آنتالپی آن افزایش و رطوبت نسبی نیز افزایش می‌یابد.

(۴) حجم مخصوص آن ثابت و آنتالپی آن افزایش می‌یابد.

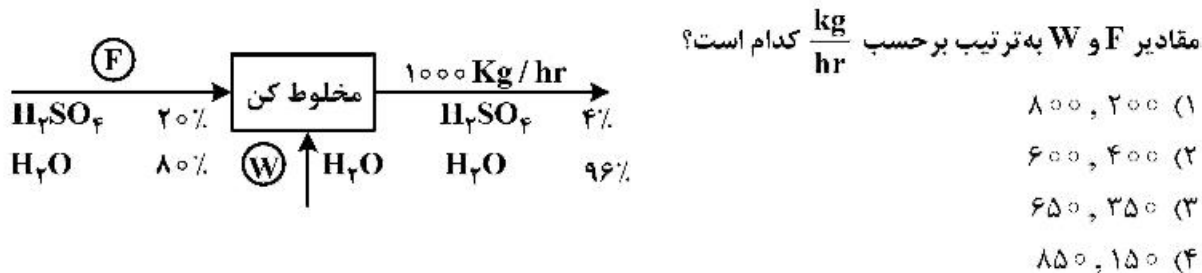
۵۳- در خصوص عملیات تبخیر ساده یا جزئی (Simple or Partial Vaporization) کدام مورد درست است؟

- (۱) تمام عوامل سیستم نسبت به زمان متغیر و فقط فشار کل ثابت است.
- (۲) ترکیب بخار خروجی از دیگ جوش و ترکیب مایع جمع‌آوری شده نسبت به زمان ثابت است.
- (۳) درجه حرارت دیگ جوش (Reboiler) و بخار خروجی از آن ثابت و بقیه عوامل متغیر است.
- (۴) تمام عوامل سیستم نسبت به زمان متغیر ولی مقدار مایع جمع‌آوری شده در طول عمل ثابت است.

۵۴- کدام مایع در شرایط یکسان، گرمای بیشتری از خود عبور می‌دهد؟

- (۱) جیوه
- (۲) آب مایع
- (۳) آمونیاک مایع
- (۴) متانول مایع

۵۵- برای ساختن اسید سولفوریک، ۴٪ وزنی از آب خالص و اسید سولفوریک ۲۰٪ وزنی مطابق شکل زیر عمل می‌شود.



۵۶- ضریب انتقال جرم یک سیستم دو فازی به مقدار  $\frac{lb\ mole}{hr.ft^2}$  داده شده است. این ضریب بر حسب  $\frac{K\ mole}{hr.m^2}$  چه مقدار خواهد بود؟

- (۱)  $1/5976$
- (۲)  $1/876$
- (۳)  $5/876$
- (۴)  $5/976$

۵۷- اگر ۵۰۰ lit گاز  $CO_2$  که در شرایط ۲ atm و  $27^\circ C$  قرار دارد، به شرایط ۲ atm و ۶۰۰ K برده شود، چه حجمی خواهد داشت؟ ( $CO_2$  را گاز کامل فرض کنید.)

- (۱) ۴۰۰ lit
- (۲) ۵۰۰ lit
- (۳) ۷۵۰ lit
- (۴) ۱۰۰۰ lit

۵۸- مهم‌ترین فاکتور که قطر برج تقطیر را معین می‌کند، کدام است؟

- (۱) ارتفاع برج
- (۲) دبی خوراک ورودی به برج
- (۳) پروفایل درجه حرارت در طول برج
- (۴) نسبت برگشت (Reflux Ratio)

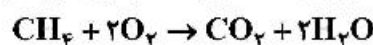
۵۹- کدام آکنه (Packing) زیر را برای تقطیر محلول رقیق اتانول در آب با شرایط یکسان انتخاب می‌کنیم؟

- (۱) جنس فلزی با بهینه کردن شکل و اندازه
- (۲) جنس شیشه‌ای با بهینه کردن شکل و اندازه
- (۳) جنس سرامیکی با بهینه کردن شکل و اندازه
- (۴) جنس پلاستیکی با بهینه کردن شکل و اندازه

۶۰- اگر هوای نیمه مرطوب از روی سطح آب مایع عبور کند و بین دو فاز تبادل جرم و حرارت صورت پذیرد، در صورتی که فشار کل و درجه حرارت آب ثابت باقی بماند، کدام مورد صحیح است؟

- (۱) آنتالپی هوا افزایش می‌یابد.
- (۲) درجه حرارت هوا افزایش می‌یابد.
- (۳) آنتالپی هوای عبوری تقریباً ثابت است.
- (۴) درجه حرارت هوا تقریباً ثابت است.

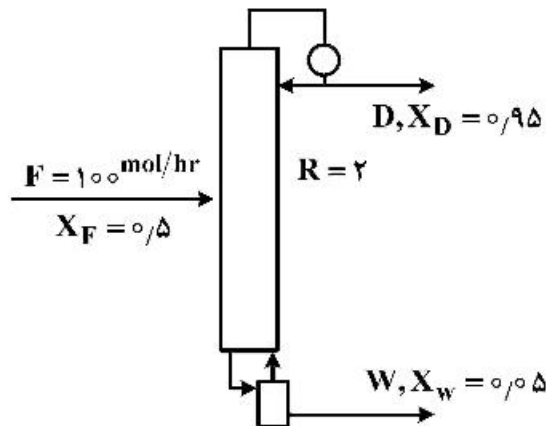
۶۱- برای تهیه ۱۰۰ kg گاز  $CO_2$ ، گاز متان را با اکسیژن خالص می‌سوزانیم



اکسیژن به مقدار استوکیومتری استفاده شده و واکنش نیز صد درصد بوده است. چند متر مکعب از متان در شرایط استاندارد به کار گرفته شده است؟

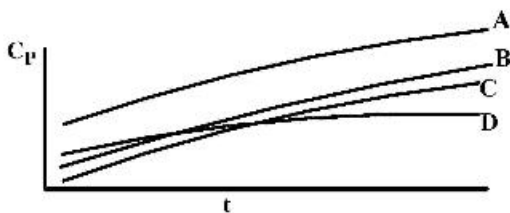
- (۱) ۴۴/۴۴
- (۲) ۴۸/۶۱
- (۳) ۵۰/۹۱
- (۴) ۵۳/۲۱

۶۲- ورودی‌ها و خروجی‌های یک برج تقطیر در شکل داده شده است. معادله خط تبادل (Operating line) بالای برج کدام است؟



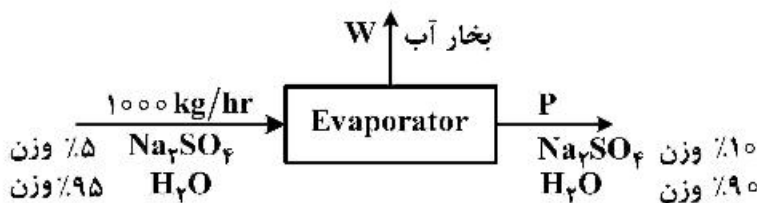
- (۱)  $y = 0.6x + 0.35$
- (۲)  $y = 0.67x + 0.36$
- (۳)  $y = 0.5x + 0.25$
- (۴)  $y = 0.55x + 0.3$

۶۳- ظرفیت حرارتی ( $C_p$ ) گازهای  $O_2$ ،  $N_2$ ،  $CO$  و  $CO_2$  در فشار اتمسفر برحسب درجه حرارت در زیر ترسیم شده‌اند. کدام خط مربوط به گاز  $CO_2$  است؟



- (۱) A
- (۲) B
- (۳) C
- (۴) D

۶۴- محلول رقیق سولفات سدیم در آب به‌طور پیوسته در یک تبخیرکننده تغلیظ می‌گردد. مقادیر P و W به ترتیب برحسب  $\frac{kg}{hr}$  چقدر می‌باشند؟



- (۱) ۶۰۰, ۴۰۰
- (۲) ۵۰۰, ۵۰۰
- (۳) ۴۵۰, ۵۵۰
- (۴) ۴۰۰, ۶۰۰

۶۵- ۱۰۰gr از بلور  $MgSO_4 \cdot 7H_2O$  را در ۱۰۰۰gr آب خالص کاملاً حل کرده‌ایم. درصد وزنی  $MgSO_4$  در محلول نهایی کدام است؟ ( $Mg = ۲۴$ ,  $S = ۳۲$ ,  $O = ۱۶$ ,  $H = ۱$ )

- (۱) ۴/۱۷
- (۲) ۴/۳۹
- (۳) ۴/۴۴
- (۴) ۴/۶۴

فیزیک جدید:

۶۶- ذره‌ای با جرم سکون  $m_0$  در ابتدا با سرعت  $0.6c$  در حرکت است. اگر اندازه حرکت این ذره تا  $A$  برابر اندازه حرکت اولیه‌اش افزایش یابد، سرعت نهایی آن چند برابر  $c$  سرعت نور در خلأ است؟

$$(1) \frac{5}{7}$$

$$(2) \frac{6}{\sqrt{37}}$$

$$(3) \frac{25}{49}$$

$$(4) \frac{36}{37}$$

۶۷- دو کشتی فضایی  $A$  و  $B$  نسبت به ناظر زمینی با تندی‌های  $V_A = 0.4c$  و  $V_B = 0.5c$  به یکدیگر نزدیک می‌شوند. کشتی  $A$  تندی کشتی  $B$  را چقدر اندازه می‌گیرد؟ ( $c$  سرعت نور در خلأ است.)

$$(1) 0.1c$$

$$(2) 0.9c$$

$$(3) 0.75c$$

$$(4) 0.125c$$

۶۸- یک رویداد در مبدأ مختصات در لحظه  $t = 0$  رخ می‌دهد و رویداد دومی در روی محور  $x$  در نقطه  $x = 5$  در لحظه  $t = 2 \times 10^{-8} \text{ s}$  رخ می‌دهد. فاصله فضا-زمانی میان این دو رویداد از چه نوعی است و مقدارش نسبت به ناظرهای لخت مختلف چگونه است؟

(۱) زمان گونه و مقدارش نسبت به ناظرهای لخت مختلف یکسان است.

(۲) فضا گونه و مقدارش نسبت به ناظرهای لخت مختلف یکسان است.

(۳) زمان گونه و مقدارش نسبت به ناظرهای لخت مختلف متفاوت است.

(۴) فضا گونه و مقدارش نسبت به ناظرهای لخت مختلف متفاوت است.

۶۹- تحت چه اختلاف پتانسیلی برحسب ولت باید یک الکترون و پروتون را از حالت سکون شتاب دهیم تا نسبت تکانه

الکترون به تکانه پروتون  $10$  به  $10$  شود؟ (جرم سکون الکترون  $0.5 \frac{\text{MeV}}{c^2}$  و جرم سکون پروتون  $938 \frac{\text{MeV}}{c^2}$  است.)

$$(1) 1.1 \times 10^{13}$$

$$(2) 1.8 \times 10^7$$

$$(3) 2.9 \times 10^8$$

$$(4) 9.4 \times 10^6$$

۷۰- یک فوتون پرتو X که معمولاً در دندان پزشکی به کار می‌رود،  $40 \text{ keV}$  انرژی دارد. طول موج این فوتون کدام است؟ ( $hc = 1240 \text{ nm.eV}$ )

(۱)  $31 \text{ pm}$

(۲)  $31 \text{ nm}$

(۳)  $62 \text{ nm}$

(۴)  $62 \mu\text{m}$

۷۱- طول موج یک موج الکترومغناطیسی  $10^\circ$  نانومتر است. انرژی هر فوتون در این تابش تقریباً چند الکترون ولت است؟

(۱)  $1/2 \times 10^{-7}$

(۲)  $4/0 \times 10^{-6}$

(۳)  $1/2 \times 10^2$

(۴)  $2/0 \times 10^4$

۷۲- یک لامپ فرابنفش نوری با طول موج  $400 \text{ nm}$  با توان  $420 \text{ W}$  گسیل می‌کند. یک لامپ فرورسرخ نوری با طول موج  $770 \text{ nm}$  با همان توان  $420 \text{ W}$  گسیل می‌کند. کدام لامپ در یک ثانیه تعداد فوتون بیشتری گسیل می‌کند و این تعداد کدام است؟

(۱) لامپ فرابنفش -  $8/5 \times 10^{20}$

(۲) لامپ فرورسرخ -  $8/5 \times 10^{20}$

(۳) لامپ فرابنفش -  $1/6 \times 10^{21}$

(۴) لامپ فرورسرخ -  $1/6 \times 10^{21}$

۷۳- در ناحیه‌ای از فضا شدت امواج الکترومغناطیسی  $\frac{W}{m^2}$   $10^3$  است. اگر این تابش از جنس امواج رادیویی با فرکانس

$100 \text{ MHz}$  باشد. در این ناحیه میانگین تعداد فوتون‌ها در هر سانتی‌متر مکعب کدام است؟

(۱)  $1/6 \times 10^{17}$

(۲)  $1/6 \times 10^{24}$

(۳)  $5/5 \times 10^{13}$

(۴)  $5/5 \times 10^{13}$

۷۴- تابع کار فلزی  $4 \text{ eV}$  است. بیشینه طول موج نوری که می‌تواند یک الکترون را از سطح این فلز خارج کند تقریباً چقدر است؟

(۱)  $3 \text{ pm}$

(۲)  $48 \text{ nm}$

(۳)  $48 \text{ pm}$

(۴)  $300 \text{ nm}$

۷۵- جریان فوتوالکترون‌ها در آزمایش فوتوالکترونیک با افزایش کدام کمیت افزایش می‌یابد؟

(۱) پتانسیل کندکننده

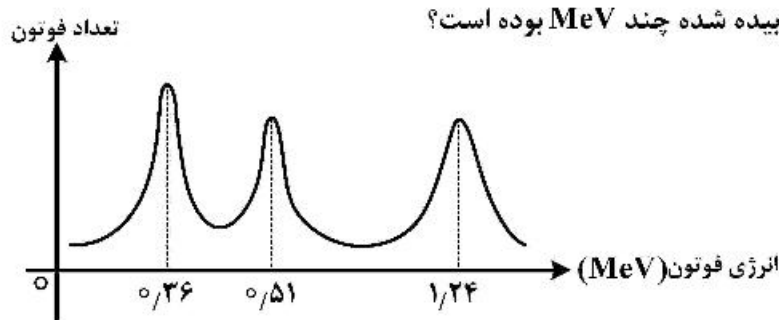
(۲) مساحت سطح فلز هدف

(۳) بسامد و/ یا دامنه تابش فرودی

(۴) طول موج و/ یا دامنه تابش فرودی



۷۶- یک پرتو تک فرکانس از فوتون‌ها به یک ماده می‌تابد و یک آشکارساز که در راستای عمود بر پرتو تابش قرار دارد، فوتون‌های پراکنده شده را آشکار می‌کند. نمودار تعداد فوتون‌های آشکار شده بر حسب انرژی در شکل زیر



رسم شده است. انرژی فوتون‌های تابیده شده چند MeV بوده است؟

- (۱) ۱/۲۴
- (۲) ۱/۶
- (۳) ۱/۷۵
- (۴) ۲/۱۱

۷۷- در مسأله یک ذره در چاه بی‌نهایت که کف چاه در انرژی صفر قرار دارد، انرژی حالت پایه ذره مقدار مثبت غیرصفری است. این نتیجه با کدام رابطه یا اصل در مکانیک کوانتومی سازگاری دارد و تأییدکننده آن است؟

- (۱) اصل مکملیت
- (۲) اصل طرد پائولی
- (۳) رابطه عدم قطعیت انرژی - زمان
- (۴) رابطه عدم قطعیت مکان - تکانه

۷۸- ذره‌ای در چاه یک بعدی بی‌نهایت که دیواره‌هایش در  $x = 0$  و  $x = L$  قرار دارد حرکت می‌کند. اگر تابع موج ذره به شکل  $\psi(x) = Ax(L-x)$  باشد، برای آنکه تابع موج بهنجار (نرمالیزه) شود، مقدار ضریب  $A$  کدام است؟

- (۱)  $\sqrt{\frac{15}{L^5}}$
- (۲)  $\sqrt{\frac{30}{L^5}}$
- (۳)  $\frac{\sqrt{30}}{L^2}$
- (۴)  $\frac{1}{L^2}$

۷۹- تابع موج بهنجار ذره‌ای که در یک بعد حرکت می‌کند به شکل  $\psi(x) = \begin{cases} \sqrt{2}a^3 x e^{-ax} & x > 0 \\ 0 & x \leq 0 \end{cases}$  است. متوسط مکان ذره در این حالت کدام است؟ ( $a$  ضریب ثابت مثبتی است).

- (۱)  $\frac{2}{a}$
- (۲)  $\frac{1}{2a}$
- (۳)  $\frac{3}{2a}$
- (۴)  $\frac{3}{4a}$

۸۰- در مدل بور از اتم هیدروژن شعاع مدار  $n$  ام الکترون متناسب با چه توانی از  $n$  است؟

- (۱) ۱  
(۲) ۲  
(۳)  $\frac{1}{2}$   
(۴)  $\frac{3}{2}$

۸۱- اتم هیدروژنی در حالت برانگیخته  $n = 3$  تحت تابش نوری با طول موج  $450 \text{ nm}$  قرار می‌گیرد. انرژی جنبشی الکترون‌های گسیلی از این اتم تقریباً چند الکترون ولت است؟

- (۱) ۱٫۲۵  
(۲) ۱٫۵۱  
(۳) ۲٫۷۶  
(۴) ۴٫۲۶

۸۲- تابع موج الکترون در حالت پایه اتم هیدروژن به شکل  $Ae^{-br}$  است که  $r$  فاصله الکترون تا مرکز اتم و  $b$  ضریب ثابت مثبتی است. برای بهنجار (نرمالیزه) بودن تابع موج مقدار  $A$  کدام است؟

- (۱)  $\sqrt{2b}$   
(۲)  $b\sqrt{2b}$   
(۳)  $b\sqrt{\frac{b}{\pi}}$   
(۴)  $b\sqrt{\frac{b}{2\pi}}$

۸۳- اگر تابع موج الکترون در اتم هیدروژن به شکل  $\psi_{nlm}(\vec{r})$  باشد، در صورتی که  $m = 2$  باشد، کدام عبارت در مورد مقدار عدد کوانتومی  $n$  درست است؟

- (۱)  $n$  حتماً کوچک‌تر از ۲ است.  
(۲)  $n$  حتماً بزرگ‌تر از ۲ است.  
(۳)  $n$  فقط مقدار ۲ را می‌تواند اختیار کند.  
(۴)  $n$  هر عدد صحیح نامنفی را می‌تواند اختیار کند.

۸۴- تابع توزیع فوتون‌ها درون یک جسم سیاه از چه نوع تابعی است؟

- (۱) ماکسول - بولتزمن (۲) لورنتس - پواسون (۳) فرمی - دیراک (۴) بوز - انیشتین

۸۵- یک گرم از نمونه‌ای از ماده ساماریوم ( $\text{Sm}$ ) با جرم مولی  $150 \frac{\text{g}}{\text{mol}}$  ذرات آلفا با نرخ  $120$  ذره در ثانیه از خود

گسیل می‌کند. اگر ایزوتوپ رادیواکتیو مسئول این واپاشی  $147 \text{ Sm}$  باشد که درصد فراوانی آن در یک نمونه

طبیعی این ماده ۱۵ درصد است. نیمه عمر این تلاشی کدام است؟ (عدد آووگادرو  $6 \times 10^{23}$ )

- (۱)  $1/1 \times 10^{11} \text{ y}$   
(۲)  $3/5 \times 10^{18} \text{ y}$   
(۳)  $4/5 \times 10^6 \text{ s}$   
(۴)  $5/1 \times 10^3 \text{ s}$

شیمی فیزیک و ترمودینامیک:

۸۶- برای سیستم کربن و آهن آستنیت ( $F_{Fe}$ ) رابطه زیر تغییرات انرژی آزاد گیبس حل شدن کربن در آهن را نشان می‌دهد.

$$\Delta \bar{G}_C^M = 44000 - 17.6T + 19.15T \log\left(\frac{x_c}{1-x_c}\right) + 74000\left(\frac{x_c}{1-x_c}\right) \frac{J}{mol}$$

$x_c$  = جزء مولی کربن

T = دما بر حسب کلوین

$\Delta H_C^M$  بر حسب J برابر کدام رابطه است؟

$$\Delta \bar{H}_C^M = 74000 \left(\frac{x_c}{1-x_c}\right) \quad (2) \qquad \Delta \bar{H}_C^M = 19.15 \left(\frac{x_c}{1-x_c}\right) \quad (1)$$

$$\Delta \bar{\Pi}_C^M = 44000 + 74000 \left(\frac{x_c}{1-x_c}\right) \quad (4) \qquad \Delta \bar{\Pi}_C^M = -44000 - 74000 \left(\frac{x_c}{1-x_c}\right) \quad (3)$$

۸۷- در انرژی آزاد هلمهولتز ثابت، مقدار تغییرات دما نسبت به تغییرات حجم  $\left(\frac{\partial T}{\partial V}\right)_A$  کدام است؟

$$+\frac{S}{P} \quad (4) \qquad -\frac{S}{P} \quad (3) \qquad +\frac{P}{S} \quad (2) \qquad -\frac{P}{S} \quad (1)$$

۸۸- برای گاز ایدئال عبارت  $\left(\frac{\partial T}{\partial p}\right)_S$  برابر با کدام مورد است؟

$$\frac{C_v}{V} \quad (4) \qquad \frac{C_p}{V} \quad (3) \qquad \frac{V}{C_v} \quad (2) \qquad \frac{V}{C_p} \quad (1)$$

۸۹- تعریف پتانسیل شیمیایی معمولاً به صورت  $\mu_i = \left(\frac{\partial G}{\partial n_i}\right)_{T,p,n_j}$  می‌باشد. اگر آن را به صورت

$$\mu_i = \left(\frac{\partial H}{\partial n_i}\right)_{x,y,n_j}$$

تعریف کنیم، x و y باید برابر کدام مورد باشند؟

$$S \text{ و } V \quad (4) \qquad T \text{ و } V \quad (3) \qquad S \text{ و } T \quad (2) \qquad S \text{ و } P \quad (1)$$

۹۰- گازی از معادله حالت  $PV = RT + \alpha P$  پیروی می‌کند، که در آن  $\alpha = \alpha(T)$  است. عبارت  $C_p - C_v$  برابر کدام مورد است؟

$$R \left\{ 1 + \frac{P}{R} \frac{d\alpha}{dT} \right\} \quad (2) \qquad R \left\{ 1 + \frac{R}{P} \frac{d\alpha}{dT} \right\} \quad (1)$$

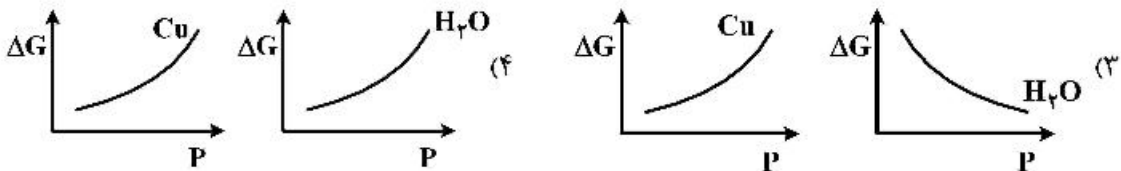
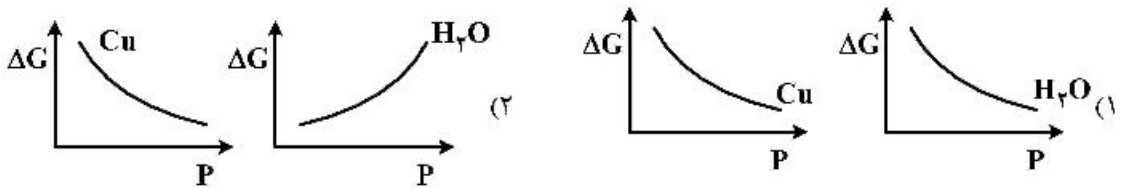
$$R \left\{ 1 + \frac{P}{R} \frac{d\alpha}{dT} \right\}^2 \quad (4) \qquad R \left\{ 1 + \frac{R}{P} \frac{d\alpha}{dT} \right\}^2 \quad (3)$$

۹۱- اگر  $\Delta G_m^\circ(B) = 2000 \text{ cal}$  باشد (تغییر انرژی آزاد ذوب شدن B خالص) و اکتیویته B در محلول دوتایی A - B برابر ۰/۲ نسبت به مذاب خالص B باشد، آنگاه اکتیویته B نسبت به جامد خالص B کدام است؟ (دما ۱۰۰۰ K)

(۱) ۰/۲ (۲)  $\ln(0.2)$

(۳) ۰/۲e (۴)  $\frac{0.2}{e}$

۹۲- نمودار تغییرات  $\Delta G$  بر حسب فشار برای انجماد آب و مس در دمای ثابت انجمادشان به چه صورتی است؟



۹۳- گازی از معادله حالت  $\frac{PV}{RT} = 1 + \frac{ap}{\sqrt{T}}$  پیروی می‌کند، که در آن a یک پارامتر ثابت است. مقدار عبارت  $\left(\frac{\partial H}{\partial P}\right)_T$  برابر کدام مورد است؟

(۱)  $a\sqrt{TR}$  (۲)  $\frac{1}{4}a\sqrt{TR}$

(۳)  $\frac{1}{2}a\sqrt{TR}$  (۴)  $2a\sqrt{TR}$

۹۴- دو فلز A و B در دمای T هر دو مذابند و فشار بخار این فلزات در دمای T به ترتیب ۱۰ و ۲۰ میلی‌متر جیوه است. آلیاژ مذابی از این دو فلز در دمای T با بخارش در تعادل است. اگر اکتیویته جزء A در آلیاژ (a<sub>A</sub>) سه برابر اکتیویته جزء B در آلیاژ (a<sub>B</sub>) باشد، کدام گزینه در مورد کسر مولی جزء B در بخار آلیاژ (X<sub>B</sub>) صحیح است؟

(۱)  $X_B = 0.35$  (۲)  $X_B = 0.4$

(۳)  $X_B = 0.5$  (۴)  $X_B = 0.7$

۹۵- به مقدار زیادی از کربن و  $\text{FeO}(s)$  گازهای  $\text{H}_2$  و  $\text{H}_2\text{O}$  اضافه شده است. در حالت تعادل نهایی در راکتور  $\text{FeO}(s)$ ،  $\text{C}(s)$ ،  $\text{Fe}(s)$ ،  $\text{CO}(g)$ ،  $\text{CO}_2(g)$ ،  $\text{H}_2(g)$  و  $\text{H}_2\text{O}(g)$  موجود است. درجه آزادی سیستم چند

است؟

(۱) ۰ (۲) ۱

(۳) ۲ (۴) ۳

۹۶- برای آلیاژ مذاب  $Pb-Bi$ ، ضرایب اکتیویته  $Pb$  به صورت تابعی از کسر مولی به رابطه زیر است:

$$\log(\gamma_{Pb}) = -0.32(1 - X_{Pb})^2$$

در این صورت رابطه مورد استفاده برای محاسبه ضریب اکتیویته  $\gamma_{Bi}$  کدام است؟

$$\log \gamma_{Bi} = 0.32(1 - X_{Bi})^2 \quad (۱)$$

$$\log \gamma_{Bi} = 0.64(1 - X_{Bi})^2 \quad (۲)$$

$$\log \gamma_{Bi} = -0.32(1 - X_{Bi})^2 \quad (۳)$$

$$\log \gamma_{Bi} = -0.64(1 - X_{Bi})^2 \quad (۴)$$

۹۷- برای گاز نئون در محدوده دمای  $300K$  و فشار  $1000$  اتمسفر رابطه زیر برقرار است.

$$P(V - b) = RT \quad b = 0.01 \frac{\text{lit}}{\text{mol}}$$

در این شرایط  $C_p = 5 \frac{\text{cal}}{\text{mol.K}}$  می باشد. مقدار  $\left(\frac{\partial U}{\partial H}\right)_p$  کدام است؟

$$R = 2 \frac{\text{cal}}{\text{mol.K}}$$

$$2.4 \quad (۱)$$

$$1.2 \quad (۲)$$

$$0.8 \quad (۳)$$

$$0.6 \quad (۴)$$

۹۸- در یک تحول هم‌دما تغییرات حجم بر حسب فشار با کدام رابطه قابل بیان است؟ ( $\alpha$  ضریب انبساط حرارتی و  $\beta$  ضریب تراکم پذیری در دمای ثابت است و این مقادیر ثابت در نظر گرفته شده‌اند.  $\alpha$  و  $\beta$  ثابت می‌باشند).

$$\ln \frac{V_2}{V_1} = \beta \Delta P \quad (۲)$$

$$\ln \frac{V_2}{V_1} = \alpha \Delta P \quad (۱)$$

$$\ln \frac{V_2}{V_1} = -\beta \Delta P \quad (۴)$$

$$\ln \frac{V_2}{V_1} = -\alpha \Delta P \quad (۳)$$

۹۹- عبارت  $\left(\frac{\partial U}{\partial V}\right)_T$ ، تغییرات انرژی داخلی نسبت به حجم در دمای ثابت، برای یک گاز حقیقی که از معادله حالت

واندروالس تبعیت می‌کند، معادل کدام گزینه است؟

معادله حالت واندروالس به صورت زیر است، که در آن  $a$  و  $b$  ثابت می‌باشند.

$$P = \frac{RT}{V - b} - \frac{a}{V^2}$$

$$\frac{a}{P} \quad (۱)$$

$$\frac{a}{V^2} \quad (۲)$$

$$\frac{ab}{VP} \quad (۳)$$

$$\frac{b}{V^2P} \quad (۴)$$

۱۰۰- در فشار یک اتمسفر سدیم در دمای  $300K$  با گرمای نهان ذوب  $24 \frac{\text{lit.atm}}{\text{mol}}$  ذوب می‌شود. اگر افزایش حجم در

اثر ذوب شدن  $3\% \frac{\text{cc}}{\text{g}}$  باشد، دمای ذوب سدیم در فشار  $9$  اتمسفر چند کلوین است؟ (جرم اتمی سدیم برابر

$$23 \frac{\text{g}}{\text{mol}} \text{ است.})$$

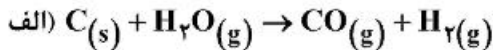
$$307 \text{ کلوین} \quad (۱)$$

$$300.07 \text{ کلوین} \quad (۲)$$

$$298.03 \text{ کلوین} \quad (۳)$$

$$293 \text{ کلوین} \quad (۴)$$

۱۰۱- دو واکنش زیر را در نظر بگیرید.

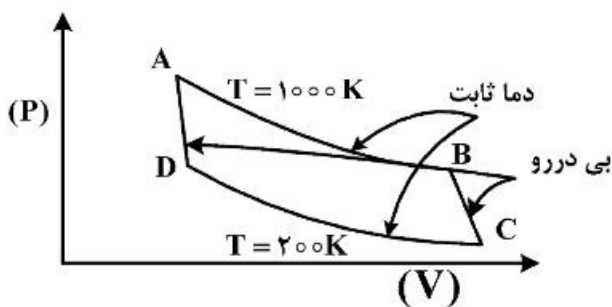


ب) نمک زدایی از آب نمک

در این خصوص کدام گزینه صحیح است؟

- ۱) فرایند (الف) با کاهش آنتروپی و فرایند (ب) با افزایش آنتروپی همراه است.
- ۲) فرایند (الف) با افزایش آنتروپی و فرایند (ب) با کاهش آنتروپی همراه است.
- ۳) هر دو فرایند با افزایش آنتروپی همراه هستند.
- ۴) هر دو فرایند با کاهش آنتروپی همراه هستند.

۱۰۲- نمودار زیر مربوط به سیکل کارنو یک گاز ایدئال است، که در آن  $15^\circ$  کیلوژول گرما جذب می‌شود. تغییر آنتروپی



منبع سرد چند  $\frac{kJ}{K}$  است؟

- ۱)  $+0.15$
- ۲)  $-0.15$
- ۳)  $+1/3$
- ۴)  $-1/3$

۱۰۳- کدام یک از جملات زیر، نادرست است؟

- ۱) اکتیویته را می‌توان از روی نمودار فازي تعیین نمود.
- ۲) اکتیویته را می‌توان براساس قانون بقای جرم تعیین نمود.
- ۳) اکتیویته را می‌توان با اندازه‌گیری اختلاف پتانسیل تعیین نمود.
- ۴) اکتیویته را می‌توان با اندازه‌گیری فشار بخار اشباع تعیین نمود.

۱۰۴- تغییرات انرژی آزاد برای ذوب شدن یک فلز به صورت  $\Delta G = A + BT + CT^2$  می‌باشد. اختلاف ظرفیت حرارتی

یک مول از فلز موردنظر در دو حالت مذاب و جامد برابر با کدام مورد است؟

- ۱)  $-2CT$
- ۲)  $A - 2CT$
- ۳)  $A - CT^2$
- ۴)  $-6CT^2$

۱۰۵- برای یک مخلوط دو جزئی ایدئال، انرژی گیبس مولی مخلوط از رابطه زیر به دست می‌آید:

$$\Delta G_{\text{mixing}} = RT \{x_1 \ln x_1 + x_2 \ln x_2\}$$

مقدار حداقل  $\Delta G_{\text{mixing}}$  برابر کدام گزینه است؟

- ۱)  $-\frac{1}{4}RT \ln 2$
- ۲)  $-\frac{1}{2}RT \ln 2$
- ۳)  $-2RT \ln 2$
- ۴)  $-RT \ln 2$

خواص فیزیکی و مکانیکی مواد:

۱۰۶- نسبت تعادلی جاهای خالی در Cu، در دمای T،  $1000^\circ$  برابر نسبت جاهای خالی برای همین عنصر در دمای

$127^\circ C$  است. با فرض اینکه انرژی لازم جهت ایجاد جاهای خالی در Cu برابر با  $\frac{J}{mol}$   $83140^\circ$  باشد، دمای T

به صورت تقریبی کدام است؟

- ۱)  $56^\circ C$
- ۲)  $55^\circ C$
- ۳)  $28^\circ C$
- ۴)  $14^\circ C$

۱۰۷- فاکتور تراکم صفحه‌ای در صفحه (۰۲۱) در شبکه FCC، کدام است؟

- (۱) ۰/۴۵  
(۲) ۰/۳۵  
(۳) ۰/۲۵  
(۴) ۰/۱۵

۱۰۸- درصد تغییر حجم حین تبدیل یک ساختار کریستالی FCC به ساختار HCP ایدئال کدام است؟ (شعاع اتمی در هر دو ساختار یکسان است.)

- (۱) صفر  
(۲) -۴  
(۳) ۴  
(۴) ۱۲

۱۰۹- در نفوذ تصادفی (Random) یک اتم بین‌نشین در دمای  $1100\text{K}$ ، پس از ۲۴ ثانیه از آغاز نفوذ، در صورتی که

ضریب نفوذ در دمای  $1100\text{K}$  برابر با  $\frac{m^2}{s} \times 10^{-12} \times 9$  باشد، فاصله متوسط اتم با محل اولیه آن چند متر است؟

- (۱)  $6 \times 10^{-6}$   
(۲)  $18 \times 10^{-6}$   
(۳)  $36 \times 10^{-6}$   
(۴)  $216 \times 10^{-6}$

۱۱۰- کدام گزینه در مورد انجماد و ذوب فلزات صحیح است؟

- (۱) سرعت حرکت فصل مشترک مذاب/جامد وابسته به آنروپی ذوب ماده است.  
(۲) تقعر فصل مشترک مذاب/جامد در دمای پایدار ذره جامد در مذاب اثری ندارد.  
(۳) فلزات خالص آسان‌تر از آلیاژها با ترکیب یوتکتیک به ساختار شیشه‌ای (آمورف) تبدیل می‌شوند.  
(۴) در فرایند ذوب، احتیاج به فوق‌گداز زیاد نیست چون در حین ذوب، مجموع انرژی‌های فصل مشترکی سیستم افزایش می‌یابد.

۱۱۱- آلیاژی حاوی رسوب را به دمای حل‌سازی می‌بریم و پس از اطمینان از انحلال کامل، در آب سریع سرد می‌کنیم.

در این حالت، هدایت الکتریکی نسبت به قبل از عملیات ذکر شده چگونه تغییر می‌کند؟

- (۱) زیاد می‌شود.  
(۲) کم می‌شود.  
(۳) وابسته به نوع آلیاژ است.  
(۴) تفاوتی نمی‌کند.

۱۱۲- واکنش زیر در سیستم آلیاژی A-B حاکم است. کدام آلیاژ درست قبل از شروع واکنش، دارای بیشترین مقدار فاز جامد است؟

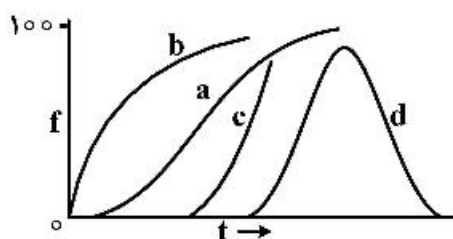


- (۱)  $\Lambda - \%8B$   
(۲)  $\Lambda - \%7B$   
(۳)  $\Lambda - \%6B$   
(۴)  $\Lambda - \%5B$

۱۱۳- در تحول استنیت به مارتنزیت کدام گزینه صحیح است؟

- (۱) بدون جوانه‌زنی و رشد  
(۲) بدون جوانه‌زنی و بدون نفوذ اتم‌ها  
(۳) همراه با جوانه‌زنی و بدون نفوذ اتم‌ها  
(۴) همراه با جوانه‌زنی حاصل از نفوذ اتم‌ها

۱۱۴- در یک تغییر حالت، کسر تغییر حالت (f) برحسب زمان (t) از معادله اورامی  $f = 1 - \exp(-kt^n)$  پیروی می‌کند. کدام منحنی برای تغییرات f برحسب t درست است؟

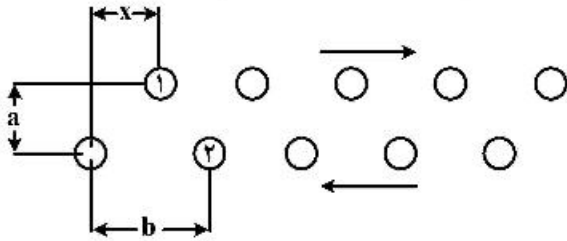


- (۱) a  
(۲) b  
(۳) c  
(۴) d

۱۱۵- کدام صفحه کریستالی فاقد جهت متراکم است؟

- (۱)  $(11\bar{2}0)_{hcp}$  (۲)  $(112)_{fcc}$   
 (۳)  $(112)_{bcc}$  (۴)  $(112)_{sc}$

۱۱۶- پدیده لغزش کریستالی در شبکه کامل و بدون نقص در شکل زیر نشان داده شده است. کدام گزینه تغییرات تنش برشی ( $\tau$ ) و لغزش ( $x$ ) را به شکل دقیق تری نشان می دهد؟



۱۱۷- طبق نظریه کویل (coble) خزش ناشی از کدام مورد است؟

- (۱) نفوذ اتمی در داخل دانه ها  
 (۲) نفوذ اتمی در مرز دانه ها  
 (۳) نفوذ اتمی از مرز دانه های تحت کشش به مرز دانه های تحت فشار  
 (۴) نفوذ تهی جای ها (vacancies) از مرز دانه های تحت فشار به مرز دانه های تحت کشش

۱۱۸- ماده ای دارای چقرمگی شکست  $100 \text{ MPa}\sqrt{\text{m}}$  و تنش تسلیم  $400 \text{ MPa}$  است. حداقل ضخامت لازم برای معتبر بودن آزمایش چقرمگی شکست چند سانتی متر است؟

- (۱) ۶۲٫۵  
 (۲) ۲۵  
 (۳) ۱۵٫۶  
 (۴) ۶٫۲۵

۱۱۹- یک قطعه مسی تحت تغییر شکل پلاستیک قرار گرفته است، به نحوی که دانسیته نابه جایی در آن از  $10^{10} \frac{1}{\text{cm}^2}$

به  $10^{12} \frac{1}{\text{cm}^2}$  رسیده است. مقدار افزایش در تنش تسلیم این قطعه چند MPa است؟

$$\alpha = \frac{1}{2}$$

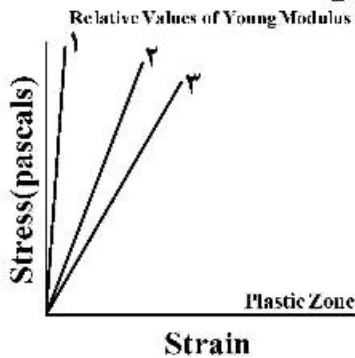
$$G_{\text{Cu}} = 50 \text{ GPa}$$

$$a_{\text{Cu}} = 0.36 \text{ nm}$$

- (۱)  $8\sqrt{2}$   
 (۲) ۸  
 (۳)  $4\sqrt{2}$   
 (۴) ۴

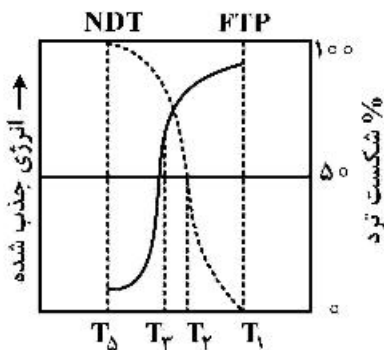


۱۲۰- با توجه به شیب خطوط ۱، ۲ و ۳، به ترتیب کدام مورد در خصوص مدول یانگ صحیح است؟



- ۱)  $Al_2O_3$ ، فولاد زنگ نزن، تیتانیوم
- ۲) تیتانیوم، فولاد زنگ نزن،  $Al_2O_3$
- ۳) فولاد زنگ نزن، تیتانیوم،  $Al_2O_3$
- ۴) فولاد زنگ نزن،  $Al_2O_3$ ، تیتانیوم

۱۲۱- شکل زیر منحنی تغییرات انرژی شکست و درصد شکست ترد با دما را نشان می دهد. کدام مورد صحیح است؟



- ۱) دمای  $T_I$  معرف شکست با صفر درصد نرمی است.
- ۲) دمای  $T_P$  معرف دمایی با انرژی شکست ۲۰ J است.
- ۳) دمای  $T_I$  معرف میانگین دمای NDT و FTP است.
- ۴) دمای  $T_0$  معرف شکست با صد درصد نرمی است.

۱۲۲- یک مرز کم زاویه در آلومینیم دارای اختلاف جهت  $\theta = 0.6^\circ$  درجه است. در صورتی که فاصله نابه جایی های لبه ای

در این مرز  $D = 100 \text{ nm}$  باشد، شعاع اتم آلومینیم چند nm است؟ ( $\pi = 3.14$ )

- ۱) ۰/۲۵
- ۲) ۰/۵
- ۳) ۱
- ۴) ۳

۱۲۳- میله ای برنجی به قطر ۱۰ mm و طول  $l = 100 \text{ mm}$  تحت کشش قرار گرفته و تغییر قطر

$\Delta D = -3 \times 10^{-3} \text{ mm}$  پیدا می کند. میزان افزایش طول میله چند mm است؟ ( $E = 10^5 \text{ MPa}$ ,  $\nu = 0.3$ )

- ۱)  $\Delta l = 0.1$
- ۲)  $\Delta l = 0.2$
- ۳)  $\Delta l = 1$
- ۴)  $\Delta l = 2$

۱۲۴- کدام عبارت در مورد انرژی کرنشی نابه جایی ها درست است؟

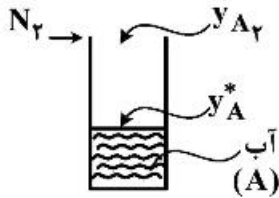
- ۱) انرژی کرنشی نابه جایی مخلوط از انرژی هر دو نابه جایی لبه ای (ساده) و پیچی کم تر است.
- ۲) انرژی کرنشی نابه جایی لبه ای (ساده) کمتر از نابه جایی پیچی است.
- ۳) انرژی کرنشی نابه جایی لبه ای (ساده) بیشتر از نابه جایی پیچی است.
- ۴) انرژی کرنشی نابه جایی لبه ای (ساده) و نابه جایی پیچی برابرند.

۱۲۵- افزایش شعاع نوک ترک در آزمایش ضربه باعث می شود که دمای انتقال از نرمی به تردی چه تغییری کند؟

- ۱) افزایش یابد.
- ۲) کاهش یابد.
- ۳) تغییر نمی کند.
- ۴) بعضی مواقع افزایش و بعضی مواقع دیگر کاهش می یابد.

پدیده‌های انتقال (انتقال جرم، مکانیک سیالات، انتقال حرارت):

۱۲۶- در شکل زیر مقدار غلظت متوسط بخار آب در لایه انتقال جرم کدام است؟



$$\bar{y}_A = \frac{y_A^* - y_{A\gamma}}{\ln \frac{y_A^*}{y_{A\gamma}}} \quad (1)$$

$$\bar{y}_A = \frac{1}{\gamma} (y_A^* + y_{A\gamma}) \quad (2)$$

$$\bar{y}_A = \frac{1}{\gamma} (y_A^* + y_{A\gamma})^{\frac{1}{\gamma}} \quad (3)$$

$$\bar{y}_A = \frac{1}{\gamma} (y_A^* - y_{A\gamma}) \quad (4)$$

۱۲۷- کدام یک از موارد زیر تماس مستقیم دو فاز است؟

Absorption , Dialysis (۲)

Reverse osmosis , Permeation (۱)

Osmosis , Crystalization (۴)

Adsorption , Absorption (۳)

۱۲۸- کریستال سولفات مس  $10 \text{ H}_2\text{O} \cdot \text{CuSO}_4$  در ظرف بزرگی از آب قرار دارد. جهت حرکت توده‌ای (بالک) و نفوذ مولکولی سولفات و آب کدام است؟

(۱) حرکت توده‌ای سولفات به سمت کریستال و نفوذ آن همسو با حرکت توده است.

(۲) حرکت توده‌ای سولفات و نفوذ آن همسو و به سمت توده آب است.

(۳) حرکت توده سولفات به سمت آب خالص و نفوذ آن غیرهمسو با حرکت توده است.

(۴) حرکت توده سولفات به سمت آب و نفوذ آن نیز همسو با حرکت توده است لیکن نفوذ آب همسو با نفوذ سولفات است.

۱۲۹- فاصله دو توزیع کننده مجدد در ستونی با پکینگ‌های راشینگ حدود ۴ متر است. در صورتی که به جای پکینگ‌های راشینگ از پکینگ پال رینگ استفاده شود، فاصله دو توزیع کننده مجدد چند متر خواهد بود؟

(۱) ۴ (۲) کمتر از ۴

(۳) بیشتر از ۴ (۴) توزیع کننده مجدد نیاز نخواهد بود.

۱۳۰- انتقال بین قطره مایع با محیط اطراف متلاطم صورت می‌گیرد. زمان تماس بین ادی‌های اطراف با قطره به‌طور متوسط حدود  $10^{-3}$  ثانیه می‌باشد. ضریب انتقال جرم متوسط در خارج قطره حدوداً چند میلی‌متر بر ثانیه

$$\left(\frac{\text{mm}}{\text{s}}\right) \text{ است؟ } (\pi = 3, D_{AB} = 3 \times 10^{-9} \frac{\text{m}}{\text{s}})$$

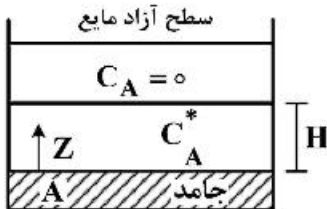
$$(1) 1,2 \times 10^{-3}$$

$$(2) 2 \times 10^{-3}$$

$$(3) 1,2$$

$$(4) 2$$

۱۳۱- ضخامت نازکی از جامد A در کف ظرف با سطح مقطع واحد قرار گرفته است. این ظرف از مایع B پر شده است. جامد A در مایع حل شده و واکنش  $A \rightarrow B$  در مایع رخ می‌دهد. نرخ مصرف A درجه صفر  $r_A = k$  است. حلالیت A در مایع  $C_A^*$  و غلظت مولی کل محلول و ضریب نفوذ به ترتیب C و  $D_{AB}$  ثابت است. دمای واکنش به گونه‌ای انتخاب شده است که در فاصله H از سطح جامد کلیه A مصرف شده و غلظت آن به صفر رسیده باشد. شار حل شدن جامد A در مایع کدام است؟



$$\frac{kH}{2} + \frac{D_{AB}C_A^*}{H} \quad (1)$$

$$kH + \frac{D_{AB}C_A^*}{H} \quad (2)$$

$$k + D_{AB}C_A^* \quad (3)$$

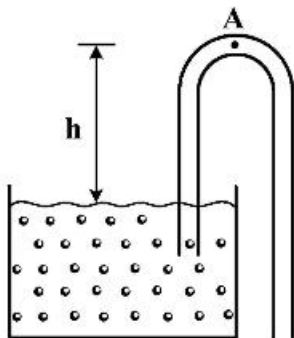
$$\frac{k}{2} + D_{AB}C_A^* \quad (4)$$

۱۳۲- در محلول دو جزیی مایع که از اجزاء A و B تشکیل شده است، در یک نقطه  $\vec{V}_A = 100 \text{ m}^{-1}$  است، کدام یک از گزاره‌های زیر در این نقطه صحیح است؟ ( $J_A^*$  شار مولی نسبت به سرعت متوسط مولی و  $N_A$  شار مولی نسبت به مختصات ساکن است.)

(۱)  $J_A^*$  صفر و  $N_A$  می‌تواند صفر باشد. (۲)  $J_A^*$  غیر صفر و  $N_A$  قطعاً صفر باشد.

(۳)  $J_A^*$  صفر و  $N_A$  می‌تواند غیر صفر باشد. (۴)  $J_A^*$  غیر صفر و  $N_A$  می‌تواند صفر باشد.

۱۳۳- سیفونی معکوس مطابق شکل زیر برای تخلیه مخزن به کار می‌رود. اگر فشار در محل  $P_{atm}$  و فشار تبخیر مطلق سیال  $P_v$  باشد، پیش از عملکرد سیفون، نقطه A چقدر می‌تواند بالاتر از سطح آزاد باشد؟ (از اصطکاک صرف نظر شود). ( $h = ?$ )



$$h = \frac{P_v}{\gamma} \quad (1)$$

$$h = \frac{P_{atm}}{\gamma} - \frac{V_A^2}{2g} \quad (2)$$

$$h = \frac{P_v}{\gamma} - \frac{V_A^2}{2g} \quad (3)$$

$$h = \frac{P_{atm} - P_v}{\gamma} \quad (4)$$

۱۳۴- کدام گزینه در مورد توزیع سرعت در جریان‌های لایه‌ای و آشفته درست است؟

(۱) در جریان آشفته هموارتر از جریان لایه‌ای است. (۲) در جریان لایه‌ای لگاریتمی است.

(۳) در جریان آشفته سهمی است. (۴) تفاوتی با هم ندارند.

۱۳۵- در یک لوله خطی، کاویتاسیون در کدام حالت بیشتر است؟

(خط گرادیان هیدرولیک HGL و خط گرادیان انرژی EGL است.)

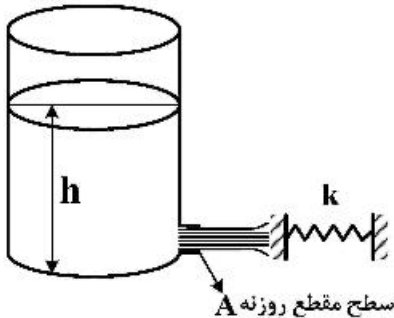
(۱) HAGL همواره افقی باشد. (۲) HGL بر EGL منطبق شود.

(۳) HGL پایین‌تر از لوله قرار گیرد. (۴) HGL بالاتر از EGL قرار گیرد.

۱۳۶- برای سرعت‌های مخصوص کم، کدام پمپ مناسب است؟

- (۱) جریان شعاعی
- (۲) جریان مختلط
- (۳) جریان محوری
- (۴) جابه‌جایی مثبت

۱۳۷- کدام رابطه در مورد تغییر مکان فنر به سختی  $k$  در معرض جت آب خروجی از مخزن درست است؟



- (۱)  $\delta = \frac{2\gamma Ah}{k}$
- (۲)  $\delta = \frac{\gamma Ah}{k}$
- (۳)  $\delta = \frac{\gamma Ah}{2k}$
- (۴)  $\delta = \frac{2\gamma Ah}{k}$

۱۳۸- در یک میدان سرعت در نقطه  $(\delta, \delta, 0)$  مؤلفه سرعت افقی  $u$  است. اگر معادله خط جریان

$$x^2 - y^2 + \tan x = 0 \text{ باشد، } v \text{ (مؤلفه سرعت قائم) کدام است؟}$$

- (۱)  $4u$
- (۲)  $3u$
- (۳)  $2u$
- (۴)  $u$

۱۳۹- برای یک فویل، حالت واماندگی (Stall) رخ داده است. در آن صورت کدام گزینه صحیح است؟

- (۱) نیروهای پسا و برا هم‌زمان مینیمم شده‌اند.
- (۲) نیروی پسا به مقدار ماکزیمم رسیده است.
- (۳) نیروهای پسا و برا هم‌زمان ماکزیمم شده‌اند.
- (۴) نیروی برا به مقدار ماکزیمم رسیده است.

۱۴۰- دو میله بلند با قطر یکسان، یکی با ضریب رسانایی  $k_1$  و دیگری  $k_2$  به دیواره‌ای با دمای پایه  $T_0$  متصل هستند.

در فاصله  $L_1$  از پایه دمای میله اول  $T$  می‌باشد. در چه فاصله‌ای از دیواره، دمای میله دوم  $T$  می‌شود؟

(دمای محیط برابر با  $T_\infty$  و ضریب انتقال حرارت جابه‌جایی محیط هم برابر با  $h$  است.)

- (۱)  $\sqrt{\left(\frac{k_1 T_\infty}{h L_1}\right)} L_1$
- (۲)  $\sqrt{\left(\frac{k_2 T_\infty}{h L_1}\right)} L_1$
- (۳)  $\left(\sqrt{\frac{k_1}{k_2}}\right) L_1$
- (۴)  $\left(\sqrt{\frac{k_2}{k_1}}\right) L_1$

۱۴۱- صفحه‌ای به ضخامت ۴ سانتی‌متر که در ابتدا در دمای  $25^{\circ}\text{C}$  می‌باشد، در یک کوره با دمای  $400^{\circ}\text{C}$  قرار داده می‌شود. ضخامت صفحه در مقایسه با ابعاد دیگر آن خیلی کوچک می‌باشد. اگر ضریب انتقال حرارت جابه‌جایی برابر  $120 \frac{\text{W}}{\text{m}^2\text{C}}$  باشد، دمای سطح صفحه بعد از ۶ دقیقه چند درجه سانتی‌گراد است؟ (عدد نپر (e) را برابر ۲/۵ در نظر بگیرید.)

$$\left\{ \begin{array}{l} \rho = 2400 \frac{\text{kg}}{\text{m}^3} \\ k = 240 \frac{\text{W}}{\text{m}^{\circ}\text{C}} \\ c_p = 900 \frac{\text{J}}{\text{kg}^{\circ}\text{C}} \end{array} \right.$$

خواص فیزیکی متوسط صفحه

(۲) ۱۷۵

(۱) ۱۵۰

(۴) ۲۶۵

(۳) ۲۵۰

۱۴۲- در جریان عبور هوا از صفحه‌ای، عدد گراشف (Gr) برابر با  $4 \times 10^8$  بوده و عدد رینولدز (Re) برابر با ۱۰۰۰ است. کدام گزینه صحیح است؟

(۱) جابه‌جایی آزاد غالب است.

(۲) جابه‌جایی اجباری غالب است.

(۳) هر دو جابه‌جایی سهم یکسانی دارند.

(۴) بستگی به گرادیان حرارتی دارد و ممکن است در قسمتی از صفحه جابه‌جایی آزاد بر اجباری غلبه کند.

۱۴۳- پروفایل دما در یک مبدل به صورت دو خط موازی با شیب یکسان است. جهت‌های جریان به چه صورت است و در چه شرایطی پروفایل دما به این صورت خواهد بود؟

(۲) جریان همسو با نرخ ظرفیت گرمایی برابر

(۱) جریان مخالف با نرخ ظرفیت گرمایی برابر

(۴) جریان همسو با ظرفیت گرمایی برابر

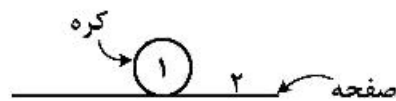
(۳) جریان مخالف با ظرفیت گرمایی برابر

۱۴۴- یک کره محدود بر روی یک صفحه بی‌نهایت به صورت زیر قرار گرفته است. ضریب دید  $F_{12}$  چقدر است؟

(۱) ۰/۵

(۲) ۱

(۳) ۰



(۴) بدون داشتن ضریب نشر کره محاسبه امکان ندارد.

۱۴۵- یک صفحه به ارتفاع ۳ متر و عرض ۲ متر که در اتاقی آویزان شده در معرض جریان هوای  $20^{\circ}\text{C}$  درجه سانتی‌گراد با سرعت  $3 \frac{\text{m}}{\text{s}}$  قرار دارد. کل نیروی Drag اعمال شده بر روی صفحه برابر ۰/۸ نیوتن می‌باشد. کدام گزینه

بیانگر عدد استانتون است؟ (دانشیته هوا را  $1.25 \frac{\text{kg}}{\text{m}^3}$  و هوا را گاز ایدئال در نظر بگیرید.)

هوای  $20^{\circ}\text{C}$ ,  $3 \text{ m/s}$



(۱) ۰/۰۴

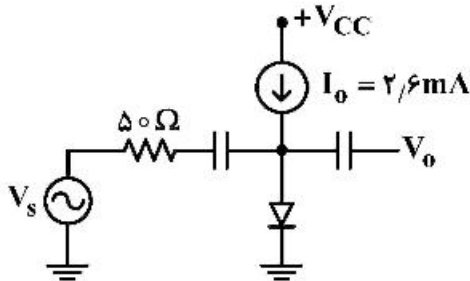
(۲) ۰/۰۶

(۳) ۰/۰۱۵

(۴) ۰/۰۲۵

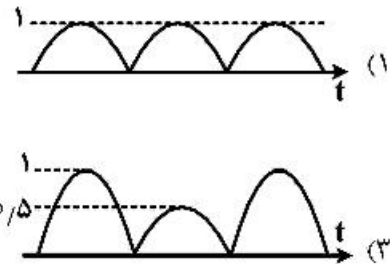
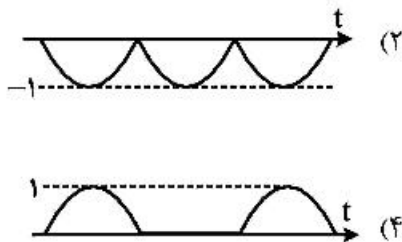
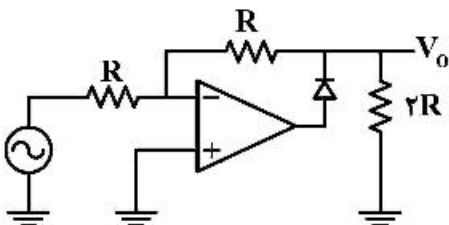
الکترونیک (۲و۱) و الکترومغناطیس مهندسی:

۱۴۶- در مدار زیر اگر دامنه سیگنال سینوسی منبع  $V_s$  برابر  $V_m = 12\text{mV}$  باشد، دامنه سیگنال  $V_o$ ، حدود چند میلی‌ولت است؟

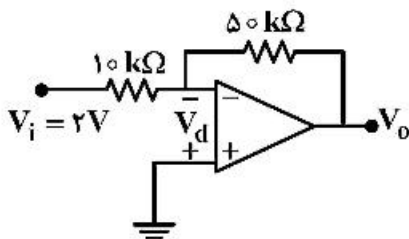


- (۱) ۰
- (۲) ۲
- (۳) ۶
- (۴) ۱۲

۱۴۷- اگر یک ولتاژ سینوسی با دامنه یک ولت به مدار زیر اعمال شود، شکل موج ولتاژ خروجی کدام خواهد بود؟

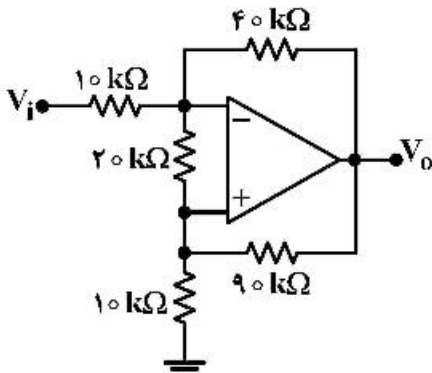


۱۴۸- در مدار زیر بهره مدار باز آپ امپ  $A_o = 5000$  است. مقدار  $V_d$  به کدام گزینه نزدیک‌تر است؟



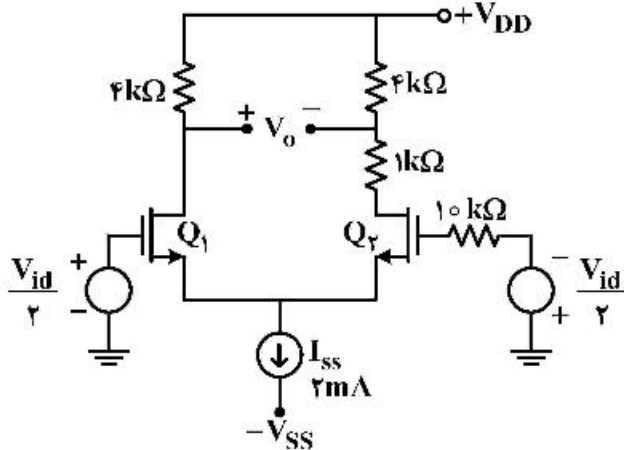
- (۱)  $-2\text{mV}$
- (۲) ۰
- (۳)  $+2\text{mV}$
- (۴)  $+2\text{V}$

۱۴۹- در مدار زیر آپ امپ ایدئال فرض شود. اندازه بهره ولتاژ کدام است؟



- (۱) ۲
- (۲) ۴
- (۳) ۶
- (۴) ۸

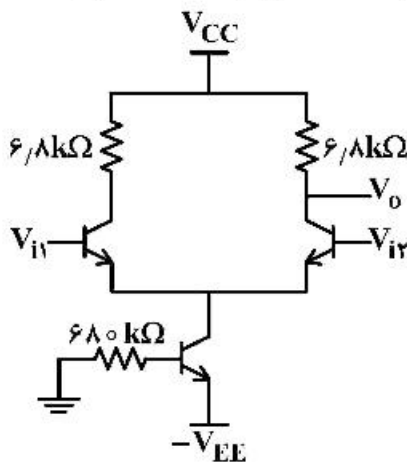
۱۵۰- در ترانزیستورهای مدار زیر  $\frac{W}{L} = ۰/۵ \frac{mA}{V^2}$  و  $\mu_n C_{ox} = ۰/۵$  است و منبع جریان ایدئال فرض می‌شود. اندازه



بهره ولتاژ  $\frac{V_o}{V_{id}}$ ، به کدام گزینه نزدیک‌تر است؟

- ۲ (۱)
- ۴ (۲)
- ۶ (۳)
- ۸ (۴)

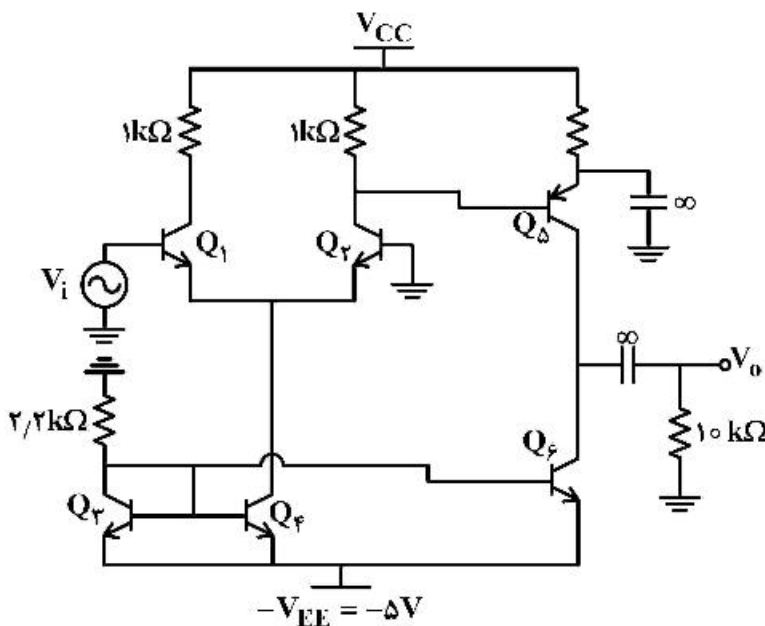
۱۵۱- در تقویت‌کننده زیر، با فرض این‌که کلیه ترانزیستورها دارای  $\beta = ۱۰۰$ ،  $r_{\pi} = ۵k\Omega$  و  $r_o = ۵۰k\Omega$  باشند،



ضریب  $CMRR$ ، به کدام گزینه نزدیک‌تر است؟

- ۳۳۳ (۱)
- ۵۰۰ (۲)
- ۱۰۰۰ (۳)
- ۱۵۰۰ (۴)

۱۵۲- در شکل زیر، ترانزیستورها یکسان هستند و در ناحیه فعال قرار دارند. مقدار  $A_V = \left| \frac{V_o}{V_i} \right|$ ، به کدام گزینه

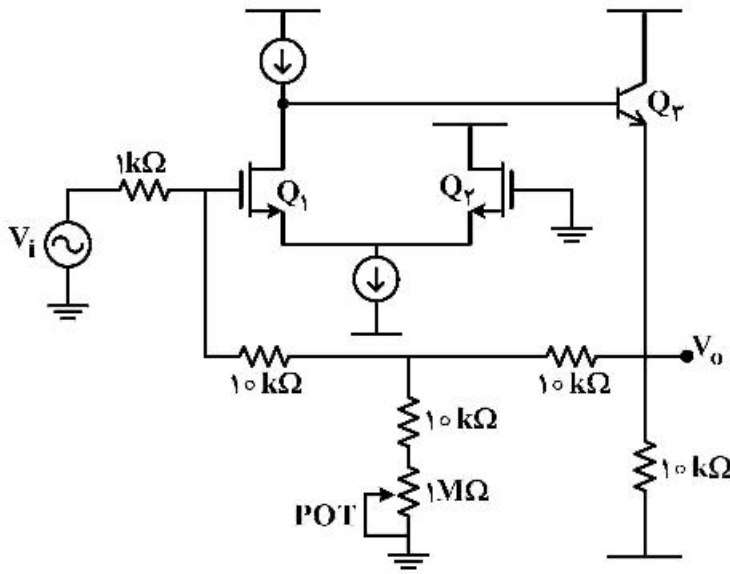


نزدیک‌تر است؟

$\beta = ۱۰۰$   
 $V_T = ۲۵mV$   
 $V_A = ۲۰۰V$   
 $|V_{BE,on}| = ۰/۶V$

- ۵۰۰۰ (۱)
- ۷۰۰۰ (۲)
- ۹۰۰۰ (۳)
- ۱۱۰۰۰ (۴)

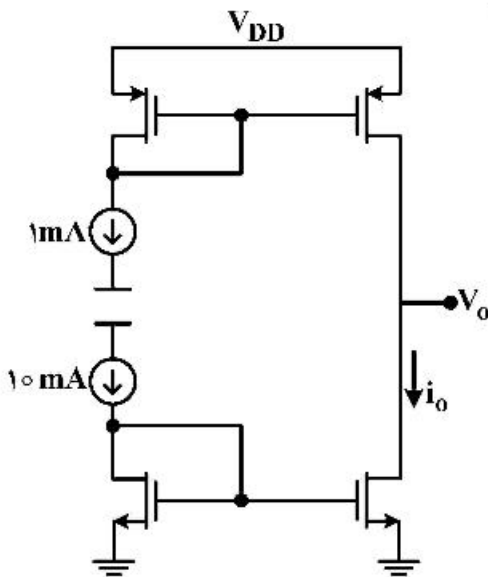
۱۵۳- در تقویت کننده زیر با تغییر پتانسیومتر  $1M\Omega$  در کل محدوده تغییرات آن، اندازه بهره مدار در چه محدوده‌ای



تغییر می‌کند؟

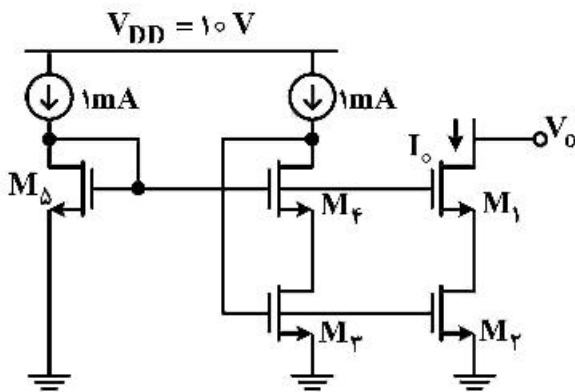
- (۱) ۲۰ تا ۱۰
- (۲) ۳۰ تا ۲۰
- (۳) ۴۰ تا ۳۰
- (۴) ۵۰ تا ۴۰

۱۵۴- در مدار زیر  $i_o$  و  $V_o$  چقدر هستند؟ (ابعاد ترانزیستورها مشابهند).



- (۱)  $V_o \approx V_{DD}$      $i_o = 1\text{mA}$
- (۲)  $V_o \approx V_{DD}$      $i_o = 10\text{mA}$
- (۳)  $V_o \approx 0$          $i_o = 10\text{mA}$
- (۴)  $V_o \approx 0$          $i_o = 1\text{mA}$

۱۵۵- حداقل ولتاژ خروجی برای این که منبع جریان  $I_o$  در ناحیه فعال باقی بماند چند ولت است؟



$$V_{TH} = 1V$$

$$(\mu_n C_{ox} \frac{W}{L})_{1,2,3,4} = \frac{1\text{mA}}{2\text{V}^2}$$

$$(\mu_n C_{ox} \frac{W}{L})_{\Delta} = \frac{1\text{mA}}{1\text{V}^2}$$

- (۱) ۲
- (۲) ۳
- (۳) ۴
- (۴) ۵



۱۵۶- صفحه بی‌نهایتی با بار سطحی  $\rho_s = 5\epsilon_0 \frac{C}{m^2}$  در صفحه  $z = 0$  و خط بارداری با بار  $\rho_L = 10\pi\epsilon_0 \frac{C}{m}$  در  $z = 10$

و  $x = -2$  قرار گرفته‌اند. ناحیه‌ای از فضا که شدت میدان الکتریکی  $\vec{E} = 0$  باشد، کدام است؟

(۱) خط  $x = +2, z = 4$

(۲) خط  $x = +2, z = 6$

(۳) خط  $x = -2, z = 8$

(۴) خط  $x = -4, z = 8$

۱۵۷- دو فیلامان مربعی هم مرکز با اضلاع موازی یکدیگر در یک صفحه مفروض است. اضلاع مربع‌ها،  $a$  و  $b$  ( $b > a$ ) می‌باشند. کدام مورد مقدار اندوکتانس متقابل این دو مربع را نشان می‌دهد؟ (از تقریب‌های مجاز می‌توان استفاده نمود.)

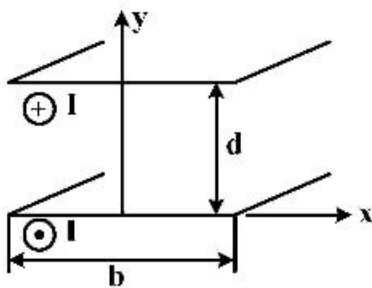
(۱)  $L_{12} = \frac{\gamma\mu_0 a}{\pi} \ln \frac{a}{b-a}$

(۲)  $L_{12} = \frac{\gamma\mu_0 a}{\pi} \ln \frac{b}{b-a}$

(۳)  $L_{12} = \frac{\gamma\mu_0 a}{\pi} \ln \frac{a}{b-a}$

(۴)  $L_{12} = \frac{\gamma\mu_0 a}{\pi} \ln \frac{b}{b-a}$

۱۵۸- خط انتقالی از دو هادی صفحه‌ای به عرض  $b^m$  به فاصله  $d^m$  از یکدیگر در هوای آزاد تشکیل شده است. در هادی‌ها جریان  $\pm I$  برقرار شده است. به‌ازای هر میزانی از نسبت  $\frac{b}{d}$ ، نیروی دافعه بر متر طول هادی‌ها کدام رابطه است؟



(۱)  $F_y = \frac{\mu_0 I^2 d}{\pi b^{\gamma}} \left[ \frac{b}{d} \tan^{-1} \frac{b}{d} + \frac{1}{2} \ln \left( 1 + \frac{b^{\gamma}}{d^{\gamma}} \right) \right]^{\frac{N}{m}}$

(۲)  $F_y = \frac{\mu_0 I^2 d}{2\pi b^{\gamma}} \left[ \frac{b}{d} \tan^{-1} \frac{b}{d} + \frac{1}{2} \ln \left( 1 + \frac{b^{\gamma}}{d^{\gamma}} \right) \right]^{\frac{N}{m}}$

(۳)  $F_y = \frac{\mu_0 I^2 d}{2\pi b^{\gamma}} \left[ \frac{b}{d} \tan^{-1} \frac{b}{d} - \frac{1}{2} \ln \left( 1 + \frac{b^{\gamma}}{d^{\gamma}} \right) \right]^{\frac{N}{m}}$

(۴)  $F_y = \frac{\mu_0 I^2 d}{\pi b^{\gamma}} \left[ \frac{b}{d} \tan^{-1} \frac{b}{d} - \frac{1}{2} \ln \left( 1 + \frac{b^{\gamma}}{d^{\gamma}} \right) \right]^{\frac{N}{m}}$

۱۵۹- در یک خازن با صفحات موازی در حالی که در  $V = 0, x = 0$  و در  $V = 100, x = 1$  باشد، تابع پتانسیل  $V$  کدام مورد است؟ (فرض کنید بین دو صفحه خازن، دی الکتریکی با ضریب  $\epsilon = \epsilon_0 (1+x^2)$  پر شده باشد.)

(۱)  $V = \frac{400}{\pi} \tan^{-1} x$

(۲)  $V = \frac{100}{\pi} \cot^{-1} x$

(۳)  $V = \frac{100}{\pi} \tan^{-1} x$

(۴)  $V = \frac{400}{\pi} \cot^{-1} x$

۱۶۰- یک فیلامان هادی به صورت مثلث متساوی الاضلاع بر روی صفحه  $z = 0$  با مرکز مثلث منطبق بر مبدأ مختصات مفروض است. اضلاع مثلث برابر با  $a$  و یکی از اضلاع آن موازی محور  $x$  می باشد. اگر جریان  $I$  در جهت  $\varphi$  در مثلث برقرار شده باشد، رابطه میزان شدت میدان مغناطیسی در مرکز مثلث کدام است؟

$$\bar{H} = \frac{9I}{4\pi a} \bar{az} \quad (1)$$

$$\bar{H} = \frac{9I}{16\pi a} \bar{az} \quad (2)$$

$$\bar{H} = \frac{9I}{8\pi a} \bar{az} \quad (3)$$

۱۶۱- کدام مورد، میزان تابع پتانسیل را در  $\varphi = 0$ ,  $\theta = 60^\circ$ ,  $r = 10^m$  که توسط دو قطبی الکتریکی با ممان دو

قطبی  $\bar{P} = 10^{-10} (\bar{ax} + \bar{az})$  C-m واقع شده در مبدأ مختصات ایجاد می شود را نشان می دهد؟

$$4/5 (1 + \sqrt{3})^{mv} \quad (1)$$

$$9 (\sqrt{3} - 1)^{mv} \quad (2)$$

$$4/5 (\sqrt{3} - 1)^{mv} \quad (3)$$

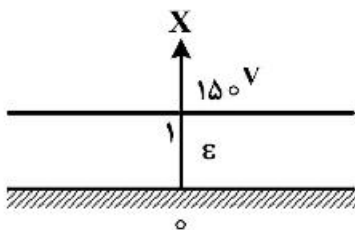
۱۶۲- درون یک کره فلزی تو خالی به شعاع  $R_1$ ، باری با چگالی حجمی  $\rho_v$  به طور یکنواخت پر شده است. سطح بیرونی کره فلزی، زمین شده است. انرژی الکتروستاتیکی سیستم برابر با کدام مورد است؟

$$W = \frac{\rho_v^2 R_1^5}{45\epsilon_0} \quad (1)$$

$$W = \frac{\rho_v R_1^2}{45\epsilon_0} \quad (2)$$

$$W = \frac{2\rho_v^2 R_1^5}{45\epsilon_0} \quad (3)$$

۱۶۳- دو صفحه مسطح موازی هادی به فاصله  $1m$  از یکدیگر قرار گرفته اند. صفحه فوقانی به پتانسیل  $150V$  و تحتانی زمین می باشد. میزان پتانسیل در  $x = \frac{1}{\sqrt{3}}$  متر کدام است؟ (فرض کنید عایق بین دو صفحه  $\epsilon = \epsilon_0(1+x^2)$  به صورت تابعی از  $x$  است.)



صورت تابعی از  $x$  است.)

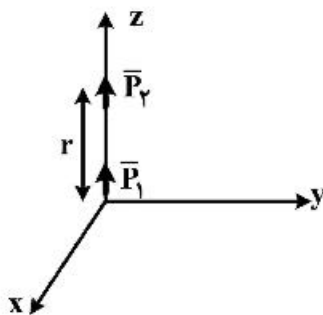
$$V = 60V \quad (1)$$

$$V = 90V \quad (2)$$

$$V = 100V \quad (3)$$

$$V = 120V \quad (4)$$

۱۶۴- یک دیپل با ممان الکتریکی  $\bar{P}_1 = P_1 \bar{az}$  در مبدأ مختصات و دیپل الکتریکی دیگر با ممان  $\bar{P}_2 = P_2 \bar{az}$  روی محور  $z$ ها تحت فاصله  $r$  از مبدأ قرار گرفته است. نیروی بین دو دیپل و نوع آن کدام است؟



$$F_r = \frac{2P_1 P_2}{2\pi\epsilon_0 r^4} \text{، دافعه،} \quad (1)$$

$$F_r = \frac{2P_1 P_2}{4\pi\epsilon_0 r^4} \text{، دافعه،} \quad (2)$$

$$F_r = \frac{-2P_1 P_2}{2\pi\epsilon_0 r^4} \text{، جاذبه،} \quad (3)$$

$$F_r = \frac{-2P_1 P_2}{4\pi\epsilon_0 r^4} \text{، جاذبه،} \quad (4)$$

۱۶۵- در مختصات کروی،  $\vec{E} = \frac{\gamma r}{(r^2 + a^2)^2} \vec{a}_r$  مفروض است. اگر در  $r = 0$ ، ولتاژ  $V = 100$  باشد، پتانسیل در

فضای مختصات کروی کدام است؟

$$V = \frac{1}{2a^2} - \frac{1}{r^2 + a^2} + 100 \quad (2)$$

$$V = \frac{2}{r^2 + a^2} - \frac{1}{a^2} + 100 \quad (4)$$

$$V = \frac{1}{a^2} - \frac{2}{r^2 + a^2} + 100 \quad (1)$$

$$V = \frac{1}{r^2 + a^2} - \frac{1}{2a^2} + 100 \quad (3)$$

